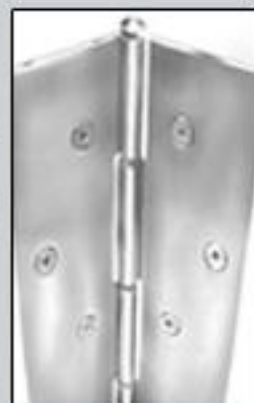


SECURINGHOSPITALS.com

Suicide Resistant Products Catalog

2010 SR CATALOG



Powered by Weizel Security--since 1980
Federal I.D. 98-0351053
Tel: 1-800-308-3627 Fax: (604) 540-5263
USA: P.O. Box 276, Blaine, WA 98231-0278
CANADA: #9-62 Fawcett Road, Coquitlam BC V3K 6V5
E-mail: OrderDesk@SecuringHospitals.com
www.securingshospitals.com



Certified
Detention Hardware
Installer

Introduction

SecuringHospitals.com is proud to present our new and improved Suicide Resistant Products Catalog – The purpose of this catalog is to feature products that SecuringHospitals.com feels will reduce the risk of self-harm in psychiatric inpatient settings.

By providing this catalog, SecuringHospitals.com is not intending to endorse or promote a particular product or manufacturer. It remains the responsibility of the hospital to assess safety needs within its particular environment and to determine the products which are most appropriate.

It is also the hospital's responsibility to ensure that the selected equipment is installed safely, operated effectively, and properly maintained. Products in this catalog are not intended to suggest that installation of these products will eliminate all suicide risks. Care and attention are always necessary by the medical staff.

If you may have any questions, feel free to contact our team at 1-800-308-3627.

Regards,

The SecuringHospitals.com Team

8.1 Walls & Ceilings

| | |
|--|--|
| <p>GRAB BARS</p> <p>811-S38 SafeSupport® SR Draining Grab Bar (Patent Pending) 1</p> <p>811-S03 SafeSupport® SR Non-Draining Grab Bar 2</p> <p>811-S01 SafeSupport® SR Safe-T Grab Bar 3</p> <p>811-S53 SafeSupport® SR Standard Grab Bar 4</p> <p>SOCKETS & SWITCHES</p> <p>812-S04 SafeSupport® SR Outlet Covers 5</p> <p>812-S05 SafeSupport® Electrical Receptacle 6</p> <p>812-S41 SafeSupport® SR Electrical Outlet Cover 7</p> <p>812-S42 SafeSupport® SR Thermostat Enclosure 8</p> <p>CLOTHING & TOWEL HOOKS</p> <p>813-S06 SafeSupport® Break-A-Way Clothes Hanging 9</p> <p>813-S08 SafeSupport® SR Collapsible Towel Hook 10</p> <p>VENTS</p> <p>814-R17 S-Vent High Security Grille 11</p> <p>814-S09 SafeSupport® Standard Security Grille 12</p> <p>MIRRORS</p> <p>815-S10 SafeSupport® SR Standard Security Mirror 13</p> <p>815-S11 SafeSupport® Stainless Framed Mirror 14</p> <p>815-S51 SafeSupport® Steel Dome Mirror 15</p> | <p>SOAP DISPENSERS</p> <p>816-S12 SafeSupport® Impact Resistant Soap Disp. 16</p> <p>816-S13 SafeSupport® Recessed Soap Dish 17</p> <p>TOILET PAPER & PAPER TOWEL DISPENSERS</p> <p>817-S14 SafeSupport® Collapsible TP Holder 18</p> <p>817-S15 SafeSupport® Impact Resistant TP Holder 19</p> <p>817-S16 SafeSupport® Recessed TP Holder 20</p> <p>817-S45 SafeSupport® SR Paper Towel Dispenser 21</p> <p>LIGHTING FIXTURES</p> <p>818-R13 Recessed Security Lighting 22</p> <p>SPRINKLERS</p> <p>819-S17 SafeSupport® Sprinkler 23</p> |
|--|--|

8.2 Doors & Hardware

| | |
|---|--|
| <p>LOCK & LATCHSETS</p> <p>821-R03 SPSL Anti-Ligature Lockset 24</p> <p>821-S18 SafeSupport® Push/Pull Latchset 25</p> <p>821-S21 SafeSupport® Anti-Ligature Lockset 26</p> <p>DEADBOLTS</p> <p>823-S20 SafeSupport® SR Deadbolt 27</p> | <p>HINGES & PULLS</p> <p>824-S22 SafeSupport® Continuous Gear Hinge 28</p> <p>824-S23 SafeSupport® Continuous Hinge 29</p> <p>824-S24 SafeSupport® SR HospTip Mortise Hinge 30</p> <p>824-S43 SafeSupport® Anti-Ligature Raised Pull 31</p> <p>824-S46 SafeSupport® SR Recessed Pull 32</p> <p>825-S25 SafeSupport® FS Continuous Spring Hinge 33</p> <p>DOORS & FRAMES</p> <p>826-S44 SafeSupport® SR Bathroom Door Assembly 34</p> |
|---|--|

8.3 Plumbing & Accessories

| | | | | | |
|-------------------|--|------------------------------|---------|--|----|
| ENCLOSURES | | SHOWERS | | | |
| 831-S27 | SafeSupport® SR Undersink Enclosure | 35 | 834-S33 | SafeSupport® Shower Head | 41 |
| 831-S39 | SafeSupport® SR Flush Valve Enclosure | 36 | 834-S35 | SafeSupport® Shower Panel | 42 |
| | | | 834-S40 | SafeSupport® SR Retrofit Shower Knob | 43 |
| LAVATORIES | | CURTAINS & DRAPES | | | |
| 832-R12 | SR Patient Sink Faucet | 37 | 835-R04 | SafeSupport® Breakaway Shower Curtains | 44 |
| 832-S28 | SafeSupport® SR Stainless Steel Lavatory | 38 | 835-R05 | SafeSupport® Breakaway Drapes | 45 |
| 832-S29 | SafeSupport® Composite Lavatory | 39 | 835-R06 | SafeSupport® Breakaway Carrier | 46 |
| TOILETS | | | | | |
| 833-S32 | SafeSupport® Stainless Steel Toilet | 40 | | | |

8.4 Furniture

| | | | | | |
|----------------|-----------------|---------------|---------|----------------|----|
| BEDDING | | TABLES | | | |
| 841-R07 | Seclusion Bed | 47 | 843-R11 | Modular Tables | 50 |
| 841-R08 | Sealed Mattress | 48 | | | |
| SEATING | | | | | |
| 842-R10 | Modular Seating | 49 | | | |

8.5 Patient Care

| | | | | |
|----------------------|--------------------------------|----|--|--|
| MISCELLANEOUS | | | | |
| 851-S36 | Breathable Trash Can Liners | 51 | | |
| 851-S49 | SafeSupport® Safety Blanket | 52 | | |
| 851-S50 | SafeSupport® Safety Smock | 53 | | |
| 851-S52 | SafeSupport® Safety Toothbrush | 54 | | |

8.1 WALLS & CEILINGS

GRAB BARS

SafeSupport® SR Draining Grab Bar

811-S38

APPLICATION

Applicable in the following areas of a Behavioral Health Facility:
 Patient Rooms Patient Washrooms

FUNCTION

Ligature resistant grab bar for wet applications
 Unique design reduces ligature points and protects against bacteria growth
 Patent pending design creates natural drain; saving time for sanitation

STANDARD FEATURES

Length: 18", 24", 36", 42", 48" and 60"
 Material: 16ga. 304 stainless steel
 Finish: US32D

OPTIONAL FEATURES

Custom sizes available
 Finish: powder coat - white, tan or grey
 Shape: L shape available for corner application

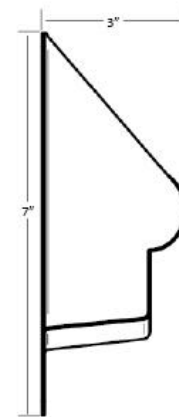
TECHNICAL DATA

Compliance: ADA

Patent Pending



GRAB BAR PROVIDES LIGATURE RESISTANCE WHILE ALLOWING WATER DRAINAGE



811-S38 STANDARD DIMENSIONS

811-S38 - ORDERING/SPECIFYING INFO

| FEATURES | LENGTH | FINISH | HANDING | |
|----------|---|--|---|--|
| | 18" 24" 36" 42" 48" 54" 60" | STA - Stainless Steel PCT - Powder Coat | LHD - Left Hand Drain RHD - Right Hand Drain | |
| OPTIONS | Custom | | | |

EXAMPLE A 18" stainless steel left hand draining grab bar is:
 811-S38-18-STA-LHD

Due to continuous product improvement Weizel Security reserves the right to make changes in design and specifications without prior notice. All dimensions should be verified with Weizel Security for current information.

SECURINGHOSPITALS.com

Fax Request to:

604-540-5263 and we'll contact you back.

Name: _____
 Facility: _____
 Email: _____
 Phone: _____
 Fax number: _____

Email Request to:

OrderDesk@SecuringHospitals.com

8.1 WALLS & CEILINGS

GRAB BARS

SafeSupport® SR Non-Draining Grab Bar

811-S03

APPLICATION

Applicable in the following areas of a Behavioral Health Facility:
 Patient Rooms Patient Washrooms

FUNCTION

Ligature resistant grab bar for dry area applications

STANDARD FEATURES

Length: 18", 24", 36", 42", 48" and 60"
 Material: 16ga. 304 stainless steel
 Finish: US32D

OPTIONAL FEATURES

Custom sizes available
 Finish: powder coat - white, tan or grey

TECHNICAL DATA

Compliance: ADA



BOTTOM PLATE REDUCES LIGATURE RISK OVER ENTIRE GRAB BAR



811-S03 STANDARD DIMENSIONS

811-S03 - ORDERING/SPECIFYING INFO

| FEATURES | LENGTH | FINISH | | |
|----------|---|--|--|--|
| | 18" 24" 36" 42" 48" 54" 60" Custom | POW - Powder Coat STA - Stainless Steel | | |
| OPTIONS | | | | |
| EXAMPLE | A 42" grab bar in stainless steel is: 811-S03-42-STA | | | |

Due to continuous product improvement Weizel Security reserves the right to make changes in design and specifications without prior notice. All dimensions should be verified with Weizel Security for current information.

SECURINGHOSPITALS.com

Fax Request to:

604-540-5263 and we'll contact you back.

Name: _____
 Facility: _____
 Email: _____
 Phone: _____
 Fax number: _____

Email Request to:

OrderDesk@SecuringHospitals.com

8.1 WALLS & CEILINGS

GRAB BARS

SafeSupport® SR Safe-T Grab Bar

811-S01

APPLICATION

Applicable in the following areas of a Behavioral Health Facility:

Patient Rooms Patient Washrooms

FUNCTION

Ligature resistant grab bar for washrooms and showers

Exposed edges are rounded and finished

STANDARD FEATURES

Length: 18", 24", 36", 42", 48" and 60"

Endcaps: 2 standard

Finish: anodized clear hard coat

Material: extruded 6063-T52 alloy aluminum

OPTIONAL FEATURES

Custom sizes available

Endcaps: 1 or no endcaps

Finish: powder coat - white, almond or silver

TECHNICAL DATA

Compliance: ADA



ENDCAPS REDUCE LIGATURE RISK OVER ENTIRE GRAB BAR



811-S01 STANDARD DIMENSIONS

811-S01 - ORDERING/SPECIFYING INFO

| FEATURES | LENGTH | ENDCAPS | FINISH | |
|----------|--|---|--|--|
| | 18" 24" 36" 42" 48" 54" 60" Custom | 0 - No Endcaps 1 - One Endcap 2 - Two Endcaps | ANO - Standard Anodized POW - Powder coat | |
| OPTIONS | | | | |
| EXAMPLE | A 24" grab bar with two end caps in standard anodized is: 811-S01-24-2-ANO | | | |

Due to continuous product improvement Weizel Security reserves the right to make changes in design and specifications without prior notice. All dimensions should be verified with Weizel Security for current information.

SECURINGHOSPITALS.com

Fax Request to:

604-540-5263 and we'll contact you back.

Name: _____
 Facility: _____
 Email: _____
 Phone: _____
 Fax number: _____

Email Request to:

OrderDesk@SecuringHospitals.com

8.1 WALLS & CEILINGS

GRAB BARS

SafeSupport® SR Standard Grab Bar

811-S53

APPLICATION

Applicable in the following areas of a Behavioral Health Facility:
 Patient Rooms Patient Washrooms

FUNCTION

Grab bar useful if pooling of water not a concern nor patient risk high

STANDARD FEATURES

Length: 18", 24", 36", 42", 48" and 60"
 Material: 18ga. 304 stainless steel; 10ga. enclosure plate
 Mounting Brackets: 4" diameter
 Finish: brushed #4

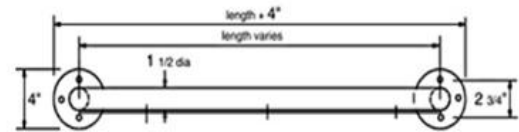
OPTIONAL FEATURES

Available with 1/4" diameter drain holes

TECHNICAL DATA



BOTTOM PLATE REDUCES LIGATURE RISK OVER ENTIRE GRAB BAR



811-S53 STANDARD DIMENSIONS

811-S53 - ORDERING/SPECIFYING INFO

| FEATURES | SIZE | FINISH | | |
|----------|---|--------|----------------------|--|
| | 18" 24" 36" 42" 48" 54" 60" Custom | | ST - Stainless Steel | |

EXAMPLE A 36" standard grab bar in stainless steel is:
 811-S53-36-ST

Due to continuous product improvement Weizel Security reserves the right to make changes in design and specifications without prior notice. All dimensions should be verified with Weizel Security for current information.

SECURINGHOSPITALS.com

Fax Request to:

604-540-5263 and we'll contact you back.

Name: _____
Facility: _____
Email: _____
Phone: _____
Fax number: _____

Email Request to:

OrderDesk@SecuringHospitals.com

SafeSupport® SR Outlet Covers

812-S04

APPLICATION

Applicable in the following areas of a Behavioral Health Facility:
 Corridors/Interview Rooms Lounges/Activity Rooms
 Patient Rooms Patient Washrooms

FUNCTION

Replaces existing outlet covers to prevent access to wiring

STANDARD FEATURES

Gang: single, double or triple gang available
 Style: various configurations available (GFI, Duplex, etc.)
 Finish: standard baked white enamel finish
 Mounting: 1/4-20 Torx w/pin stainless steel screws
 Cover plate: is die formed 10ga. cold rolled steel
 Back plate: 12ga. galvanized steel with 1/4-20 threaded inserts

OPTIONAL FEATURES

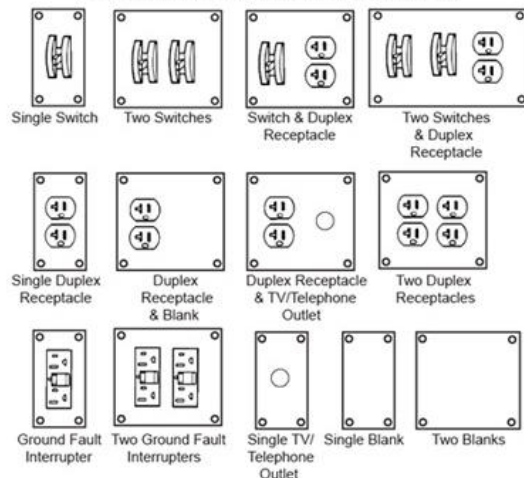
Custom colors available

TECHNICAL DATA

Compliance: ADA



BOTTOM PLATE REDUCES LIGATURE RISK OVER ENTIRE GRAB BAR



812-S04 COVERS

812-S04 - ORDERING/SPECIFYING INFO

| FEATURES | GANGS | STYLE | FINISH |
|----------|--|--|--|
| | 1 - Single Gang 2 - Double Gang 3 - Triple Gang | B - Blank DR - Duplex Receptacle GFI - Ground Fault Rec. SW - Toggle Switch TO - Cable/Telephone TV - TV Outlet | POW - Powder Coat STA - Stainless Steel |
| OPTIONS | | | |
| EXAMPLE | A stainless steel, single ganged, duplex cover is: 812-S04-1-DR-STA | | |

Due to continuous product improvement Weizel Security reserves the right to make changes in design and specifications without prior notice. All dimensions should be verified with Weizel Security for current information.

SECURINGHOSPITALS.com

Fax Request to:

604-540-5263 and we'll contact you back.

Name: _____
Facility: _____
Email: _____
Phone: _____
Fax number: _____

Email Request to:

OrderDesk@SecuringHospitals.com

SafeSupport® Electrical Receptacle

812-S05

APPLICATION

Applicable in the following areas of a Behavioral Health Facility:
 Corridors/Interview Rooms Lounges/Activity Rooms
 Patient Rooms Patient Washrooms

FUNCTION

Provides added security for unsupervised areas
 Integrated shutter design reduces tampering when not in use

STANDARD FEATURES

Amps: 15 or 20 available
 Color: brown, grey, ivory, red or white color
 Face: durable impact-resistant thermoplastic

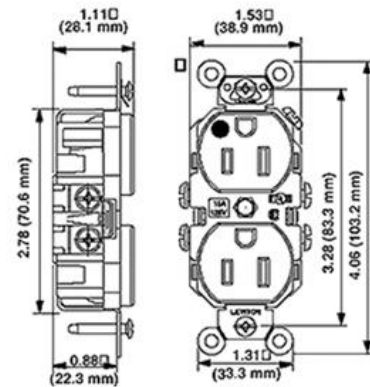
OPTIONAL FEATURES

TECHNICAL DATA

Rating: withstands 2000V per UL498
 Flammability: meets UL 94 requirements; V2 rated
 Temperature Rating: -40°C to 60°C (-40°F to 140°F)
 Certification: NOM/ANSI



REDUCES ELECTRICAL OUTLET MISUSE



812-S05 STANDARD DIMENSIONS

812-S05 - ORDERING/SPECIFYING INFO

| FEATURES | AMPS | COLOR | | |
|----------|---|--|--|--|
| | 15 - 15 Amps 20 - 20 Amps | BRO - Brown GRA - Grey IVO - Ivory RED - Red WHI - White | | |
| OPTIONS | | | | |
| EXAMPLE | A brown 15 amp receptical is: 812-S05-15-BRO | | | |

Due to continuous product improvement Weizel Security reserves the right to make changes in design and specifications without prior notice. All dimensions should be verified with Weizel Security for current information.

SECURINGHOSPITALS.com

Fax Request to:

604-540-5263 and we'll contact you back.

Name: _____
 Facility: _____
 Email: _____
 Phone: _____
 Fax number: _____

Email Request to:

OrderDesk@SecuringHospitals.com

SafeSupport® SR Electrical Outlet Cover

812-S41

APPLICATION

Applicable in the following areas of a Behavioral Health Facility:
 Corridors/Interview Rooms Lounges/Activity Rooms
 Patient Rooms Patient Washrooms

FUNCTION

Secures outlets from tampering and unauthorized access
 Ligature resistant design for unsupervised patient areas

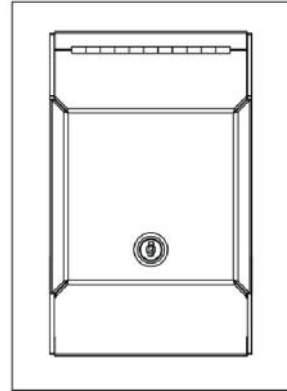
STANDARD FEATURES

Outlet: duplex receptical and standard GFI
 Material: 16ga. Steel
 Finish: tan or grey powder coat finish
 Keying: lockable to prevent unauthorized access

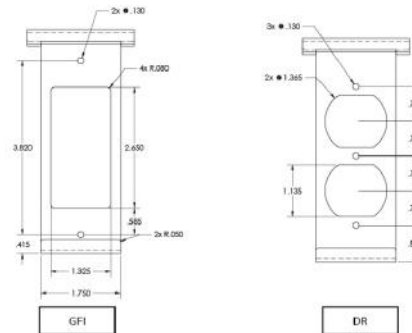
OPTIONAL FEATURES

Custom sizes available

TECHNICAL DATA



REDUCES UNAUTHORIZED ACCESS TO OUTLET



812-S41 STANDARD DIMENSIONS

812-S41 - ORDERING/SPECIFYING INFO

| FEATURES | OUTLET TYPE | MATERIAL/FIN | KEYING |
|----------|--|---|-----------|
| | DR - Duplex GFI - Ground Fault | PS - Powder Coat SS - Stainless Steel 26D- Satin Chrome Steel | A - Alike |
| OPTIONS | | | |
| EXAMPLE | A stainless steel duplex keyed alike enclosure is: 812-S41-DR-SS-A | | |

Due to continuous product improvement Weizel Security reserves the right to make changes in design and specifications without prior notice. All dimensions should be verified with Weizel Security for current information.

SECURINGHOSPITALS.com

Fax Request to:

604-540-5263 and we'll contact you back.

Name: _____
 Facility: _____
 Email: _____
 Phone: _____
 Fax number: _____

Email Request to:

OrderDesk@SecuringHospitals.com

SafeSupport® SR Thermostat Enclosure

812-S42

APPLICATION

Applicable in the following areas of a Behavioral Health Facility:
 Corridors/Interview Rooms Lounges/Activity Rooms
 Patient Rooms Patient Washrooms

FUNCTION

Secures thermostat from tampering and unauthorized access
 Slope top design minimizes ligature risk

STANDARD FEATURES

Material: 16ga. Steel or Stainless Steel
 Finish: White, tan or grey powder coat, US32D for stainless steel
 Keying: lockable to prevent unauthorized access

OPTIONAL FEATURES

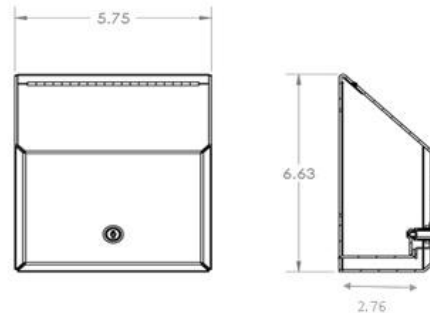
Custom sizes available

TECHNICAL DATA

Design: conforms to standard thermostats



REDUCES UNAUTHORIZED ACCESS TO THERMOSTATS



812-S42 STANDARD DIMENSIONS

812-S42 - ORDERING/SPECIFYING INFO

| FEATURES | MATERIAL & KEYING | FINISH | | |
|----------|--|---|--|--|
| | SKA – stainless steel keyed alike STA – steel x keyed alike | PO – Powder Coat 26D – Satin Steel 32D -- Stainless Steel | | |
| OPTIONS | | | | |

EXAMPLE
 A steel powder coat standard enclosure is:
 812-S42-ST-PCT

Due to continuous product improvement Weizel Security reserves the right to make changes in design and specifications without prior notice. All dimensions should be verified with Weizel Security for current information.

SECURINGHOSPITALS.com

Fax Request to:

604-540-5263 and we'll contact you back.

Name: _____
Facility: _____
Email: _____
Phone: _____
Fax number: _____

Email Request to:

OrderDesk@SecuringHospitals.com

SafeSupport® Break-A-Way Clothes Hanging

813-S06

APPLICATION

Applicable in the following areas of a Behavioral Health Facility:
Patient Rooms

FUNCTION

Breakaway design reduces ligature risk

STANDARD FEATURES

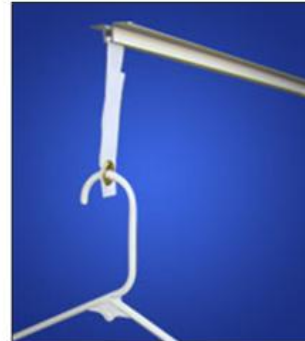
Size: all sizes custom, specify desired length in feet
 Tabs: three grommet tabs and safety tabs per foot
 Plastic hangers included
 Material: Aluminum trackset with velcro safety tabs

OPTIONAL FEATURES

Extra tabs/hangers: purchased separately

TECHNICAL DATA

Must be mounted on the underside of a shelf



GROMMETED VELCRO TABS BREAKAWAY UNDER EXCESSIVE WEIGHT



813-S06 MOUNTS UNDER SHELVES

813-S06 - ORDERING/SPECIFYING INFO

| FEATURES | SIZE | TABS | | |
|----------|----------------------------|------------------------------|--|--|
| | SPE - Specify length in ft | GR - 3 Grommet tabs per foot | | |
| OPTIONS | | | | |

EXAMPLE A 3 1/2 foot grommet breakaway clothes hanging system is:
813-S06-3'6"-GR-3 Grommet tabs per foot

Due to continuous product improvement Weizel Security reserves the right to make changes in design and specifications without prior notice. All dimensions should be verified with Weizel Security for current information.

SECURINGHOSPITALS.com

Fax Request to:

604-540-5263 and we'll contact you back.

Name: _____
 Facility: _____
 Email: _____
 Phone: _____
 Fax number: _____

Email Request to:

OrderDesk@SecuringHospitals.com

SafeSupport® SR Collapsible Towel Hook

813-S08

APPLICATION

Applicable in the following areas of a Behavioral Health Facility:
 Corridors/Interview Rooms Lounges/Activity Rooms
 Patient Rooms Patient Washrooms

FUNCTION

Replaces clothes hooks to reduce ligature points in patient areas
 Collapsible design increases patient safety

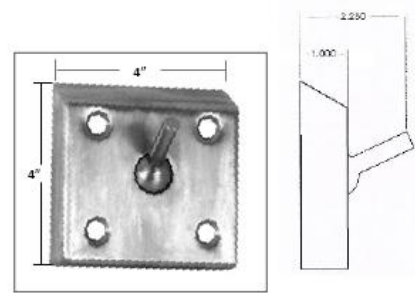
STANDARD FEATURES

Material: 14ga. 304 stainless steel
 Hooks: single hook or four hook strip
 Fastening: torx with pin flat head 1/4-20 x 2" screws
 Mounting: front mount
 Design: collapsible ball joint style hook with nylon insert

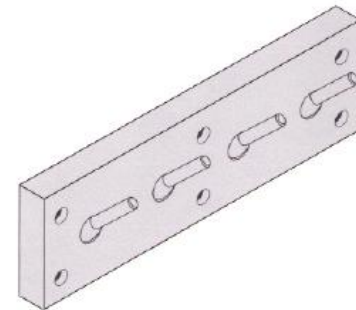
OPTIONAL FEATURES

Powder coat: white, tan or grey

TECHNICAL DATA



HOOK COLLAPSES UNDER EXCESSIVE WEIGHT



813-S08 AVAILABLE IN FOUR HOOK MODEL

813-S08 - ORDERING/SPECIFYING INFO

| FEATURES | MATERIAL/FIN | HOOKS | | |
|----------|---|---|--|--|
| | ST - Stainless Steel | 1b - Single Hook bolt on mtg 1w - Single Hook weld on mtg 4 - Four Hook Strip | | |
| OPTIONS | | | | |
| EXAMPLE | A stainless steel single hook bolt on mount: 813-S08-ST-1b | | | |

Due to continuous product improvement Weizel Security reserves the right to make changes in design and specifications without prior notice. All dimensions should be verified with Weizel Security for current information.

SECURINGHOSPITALS.com

Fax Request to:

604-540-5263 and we'll contact you back.

Name: _____
 Facility: _____
 Email: _____
 Phone: _____
 Fax number: _____

Email Request to:

OrderDesk@SecuringHospitals.com

S-Vent High Security Grille

814-R17

APPLICATION

Applicable in the following areas of a Behavioral Health Facility:
 Patient Rooms Patient Washrooms
 Seclusion Rooms

FUNCTION

Grilles where patients are at high risk of self harm

STANDARD FEATURES

Material: Stainless steel construction; 5 levels of security(12 & 14 ga.)
 Mounting: rear or face mount available with brackets and angles
 Grille operation options: rear, face, cable or side
 Rust protective construction: duct, louvers and mullions galvanized

OPTIONAL FEATURES

TECHNICAL DATA

SECURINGHOSPITALS.com

Fax Request to:

604-540-5263 and we'll contact you back.

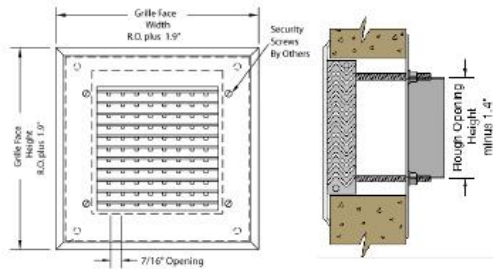
Name: _____
 Facility: _____
 Email: _____
 Phone: _____
 Fax number: _____

Email Request to:

OrderDesk@SecuringHospitals.com



REDUCES LIGATURE RISKS FOR HVAC SYSTEMS



814-R17 STANDARD DIMENSIONS

814-R17 - ORDERING/SPECIFYING INFO

| FEATURES | AIR HOLE SIZE | WALL/CEILING NOM OPENING | MOUNTING | OPERATED OPTIONS |
|----------|--|--------------------------|--|--|
| OPTIONS | A - 3/16 X 3/16 - 14ga | CUS - H_ " x W_ " x D_ " | RM- Rear Mount ZB - Rear Mount, Z Bracket AF-Sleeve & Angles PC-Sleeve Studs FM- Face Mount IP -Face Mount, Integrated Plenum | RO - Rear Operated FO - Face Operated CO - Cable Operated SO -Side Operated |
| | B - 7/16 X 3/16 - 14ga | | | |
| | C - 2" X 3/16- 14 ga | | | |
| | D - 3/16 X 3/16 - 16ga | | | |
| | E- 3/8 X 3/8 - 16ga | | | |
| EXAMPLE | A rear operated rear mounted s-vent with small holes (3/16 x 3/16) to fit a nom wall hole dimension of 12 x 12 x 6 is: 814-R17 - A - 12" x 12" x 6" - RM - RO | | | |

Due to continuous product improvement Weizel Security reserves the right to make changes in design and specifications without prior notice. All dimensions should be verified with Weizel Security for current information.

SafeSupport® Standard Security Grille

814-S09

APPLICATION

Applicable in the following areas of a Behavioral Health Facility:
 Corridors/Interview Rooms Lounges/Activity Rooms
 Patient Rooms

FUNCTION

Replaces existing grilles for suicide and vandal resistance

STANDARD FEATURES

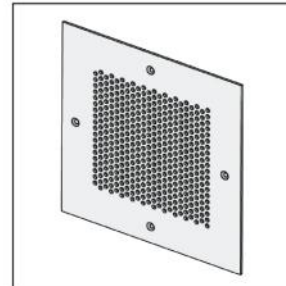
Dimensions: 6"x6", 8"x8", 10"x10", 12"x12", 14"x14"
 Material: powder coat aluminum or steel construction
 5/32" diameter holes on 7/32" staggered centers
 Design: 12ga mesh welded behind faceplate
 Torx with pin flat head #10 x 1-1/2" screws

OPTIONAL FEATURES

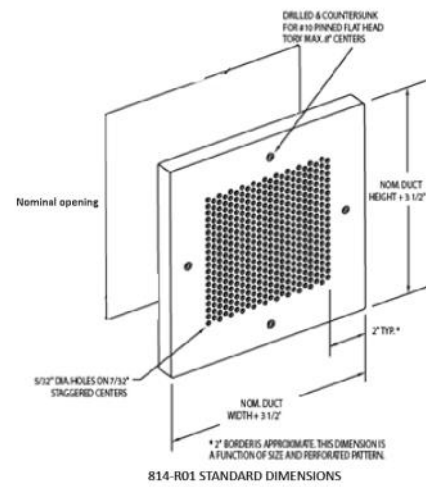
Custom sizes available

TECHNICAL DATA

California title 24 compliant for suicide resistance



REDUCES LIGATURE RISKS FOR HVAC SYSTEMS



814-R01 STANDARD DIMENSIONS

814-S09 - ORDERING/SPECIFYING INFO

| FEATURES | DIMENSIONS | MATERIAL | LIP |
|----------|--|--|--|
| | 6-6"x6" 8-8"x8" 10-10"x10" 12-12"x12" 14-14"x14" Custom | POW - Powder Coat ST - Stainless Steel ALU-Aluminum GAL-Galvanized Steel PRI-Primed Steel | 0-No hug-tight lip HT-Hug-tight lip |
| OPTIONS | | | |

EXAMPLE
 A 10"x10" grille in stainless steel with a hug-tight lip is:
 814-S09-10-ST-HT

Due to continuous product improvement Weizel Security reserves the right to make changes in design and specifications without prior notice. All dimensions should be verified with Weizel Security for current information.

SECURINGHOSPITALS.com

Fax Request to:

604-540-5263 and we'll contact you back.

Name: _____
 Facility: _____
 Email: _____
 Phone: _____
 Fax number: _____

Email Request to:

OrderDesk@SecuringHospitals.com

SafeSupport® SR Standard Security Mirror

815-S10

APPLICATION

Applicable in the following areas of a Behavioral Health Facility:
 Patient Rooms Patient Washrooms

FUNCTION

Replaces existing mirrors for vandalism reduction

STANDARD FEATURES

2-piece mirror: 2 sizes available
 Material: frame - satin chrome finish; mirror - 18 ga.
 Surface area: S: 8"x 9-1/2"; L: 10"x 14"
 1/4-20 torx w/pin BHMS screws supplied

OPTIONAL FEATURES

1-piece mirror: 2 sizes available
 Material: frame - satin chrome finish; mirror - 18 ga.
 Surface area S: 8" x 9-3/4" ; L: a 9 3/4" x 15 3/4"

TECHNICAL DATA

SECURINGHOSPITALS.com

Fax Request to:

604-540-5263 and we'll contact you back.

Name: _____
Facility: _____
Email: _____
Phone: _____
Fax number: _____

Email Request to:

OrderDesk@SecuringHospitals.com



VANDAL RESISTANT MIRROR PROVIDES ADDED SECURITY



815-S10-1 STANDARD DIMENSIONS

815-S10 - ORDERING/SPECIFYING INFO

| FEATURES | SIZE | | | |
|----------|--|--|--|--|
| | 1LG - 11.25 x 17.25 (1 piece) 1SM - 9.5 x 11.25 (1 piece) 2LG - 12.375 x 16.375 (2 piece) 2SM - 10 x 11.5 (2 piece) | | | |
| EXAMPLE | A small 2 piece mirror is : 815-S10-2SM | | | |

Due to continuous product improvement Weizel Security reserves the right to make changes in design and specifications without prior notice. All dimensions should be verified with Weizel Security for current information.

SafeSupport® Stainless Framed Mirror

815-S11

APPLICATION

Applicable in the following areas of a Behavioral Health Facility:
 Patient Rooms Patient Washrooms

FUNCTION

Replaces existing mirrors for vandalism reduction

STANDARD FEATURES

Finish: Mirror - Stainless Steel, 18 ga. Frame - satin finish
 Sizes: 16"x 20", 16"x 24", 18"x 24", 18"x 36" or 24"x 36"

OPTIONAL FEATURES

Custom sizes available up to 46"x 96"
 Polycarbonate or plate glass (non secure) mirrors available

TECHNICAL DATA



VANDAL RESISTANT MIRROR PROVIDES ADDED SECURITY



815-S11 CUSTOM DIMENSIONS

815-S11 - ORDERING/SPECIFYING INFO

| FEATURES | DIMENSIONS | FRAME | | |
|----------|--|-------|---|--|
| | A - 16x20 B - 16x24 C - 18x24 D - 18x36 E - 24x36 SPI - Specify in inches | | FLA- Mirror Only MAS- Masonite Backed (Unframed) SNA- Snap Framed Mirror CHA - Channel Framed Mirror | |
| OPTIONS | | | | |
| EXAMPLE | A 24 x 36 snap framed mirror is: 815-S11-E-SNA | | | |

Due to continuous product improvement Weizel Security reserves the right to make changes in design and specifications without prior notice. All dimensions should be verified with Weizel Security for current information.

SECURINGHOSPITALS.com

Fax Request to:

604-540-5263 and we'll contact you back.

Name: _____
Facility: _____
Email: _____
Phone: _____
Fax number: _____

Email Request to:

OrderDesk@SecuringHospitals.com

SafeSupport® Steel Dome Mirror

815-S51

APPLICATION

Applicable in the following areas of a Behavioral Health Facility:
 Corridors/Interview Rooms Lounges/Activity Rooms
 Seclusion Rooms

FUNCTION

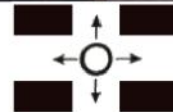
Increasing safety relative to existing acrylic/plexiglass dome mirrors

STANDARD FEATURES

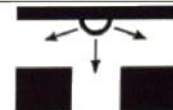
Degree: 180, 360
 Diameter 9, 12, 18
 Material: steel
 180° 18" diameter for areas up to 150 sq. ft.
 360° 18" diameter for areas up to 300 sq. ft.

OPTIONAL FEATURES

TECHNICAL DATA



360° VIEW WHILE REMAINING VANDAL AND TAMPER RESISTANT



180° VIEW WHILE REMAINING VANDAL AND TAMPER RESISTANT

SECURINGHOSPITALS.com

Fax Request to:

604-540-5263 and we'll contact you back.

Name: _____
Facility: _____
Email: _____
Phone: _____
Fax number: _____

Email Request to:

OrderDesk@SecuringHospitals.com

815-S51 - ORDERING/SPECIFYING INFO

| FEATURES | DEGREE | SIZE | | |
|----------|------------------|--------------|--|--|
| | 90 - 90 Degree | 18- 18" Dia | | |
| | 180 - 180 Degree | 24 - 24" Dia | | |
| | 32 - 32" Dia | | | |
| | 360 - 360 Degree | 36 -36" Dia | | |
| | 48 - 48" Dia | | | |
| OPTIONS | | | | |

EXAMPLE
 A 360 degree 18" steel dome mirror is:
 815-S51-360-18

Due to continuous product improvement Weizel Security reserves the right to make changes in design and specifications without prior notice. All dimensions should be verified with Weizel Security for current information.

SafeSupport® Impact Resistant Soap Disp.

816-S12

APPLICATION

Applicable in the following areas of a Behavioral Health Facility:
Patient Washrooms

FUNCTION

Slope design increases patient safety
Vandal resistant material

STANDARD FEATURES

Material: impact-resistant solid surface corian
Design: slope top
Locking: cylinder piston lock prevents removal by patients
Colors: speckled colors: sand, quarry grey and gossamer
Design meets: Dial anti-bacterial disposable soap bag 27oz.

OPTIONAL FEATURES

TECHNICAL DATA



SLOPED DESIGN REDUCES LIGATURE RISKS



816-S12 STANDARD DIMENSIONS USING STANDARD SOAP PACKAGES

816-S12 - ORDERING/SPECIFYING INFO

| FEATURES | COLOR | MATERIAL | | |
|----------|---|--------------|--|--|
| | GOS - Gossamer GRE - Quarry grey SAN - Sand SOL-Solid | COR - Corian | | |
| OPTIONS | | | | |
| EXAMPLE | A gossamer corian impact resistant soap dispenser is : 816-S12-GOS-COR | | | |

Due to continuous product improvement Weizel Security reserves the right to make changes in design and specifications without prior notice. All dimensions should be verified with Weizel Security for current information.

SECURINGHOSPITALS.com

Fax Request to:

604-540-5263 and we'll contact you back.

Name: _____
 Facility: _____
 Email: _____
 Phone: _____
 Fax number: _____

Email Request to:

OrderDesk@SecuringHospitals.com

SafeSupport® Recessed Soap Dish

816-S13

APPLICATION

Applicable in the following areas of a Behavioral Health Facility:
Patient Washrooms

FUNCTION

Replaces existing soap dispensers for vandal and suicide resistance

STANDARD FEATURES

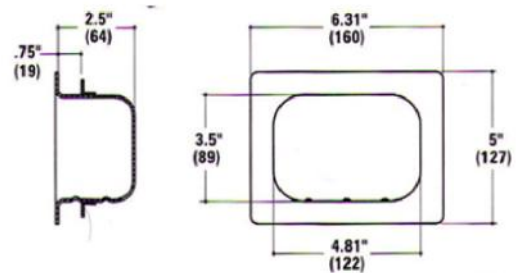
Mounting: front or rear
Material: 16ga. 304 stainless steel

OPTIONAL FEATURES

TECHNICAL DATA



RECESSED DESIGN REDUCES LIGATURE RISKS



816-S13 STANDARD DIMENSIONS

816-S13 - ORDERING/SPECIFYING INFO

| FEATURES | MOUNTING | MATERIAL | | |
|----------|--|----------------------|--|--|
| | FRO - Front Mounted REA - Rear Mounted | ST - Stainless Steel | | |
| OPTIONS | | | | |
| EXAMPLE | A rear mounted stainless steel recessed soap dish is: 816-S13-REA-ST | | | |

Due to continuous product improvement Weizel Security reserves the right to make changes in design and specifications without prior notice. All dimensions should be verified with Weizel Security for current information.

SECURINGHOSPITALS.com

Fax Request to:

604-540-5263 and we'll contact you back.

Name: _____
 Facility: _____
 Email: _____
 Phone: _____
 Fax number: _____

Email Request to:

OrderDesk@SecuringHospitals.com

SafeSupport® Collapsible TP Holder

817-S14

APPLICATION

Applicable in the following areas of a Behavioral Health Facility:
Patient Washrooms

FUNCTION

Replaces existing toilet paper holders for suicide resistance

STANDARD FEATURES

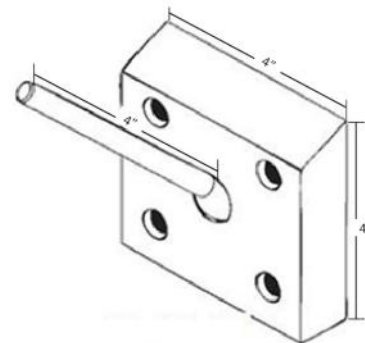
Material: 14ga. stainless steel (US32D) w/nylon insert
Housing: sloped top, front mounted
Fastening: bolt on w/ torx with pin flat head 1/4-20 x 2" screws

OPTIONAL FEATURES

TECHNICAL DATA



ARM COLLAPSES UNDER EXCESSIVE WEIGHT



817-S14 STANDARD DIMENSIONS

817-S14 - ORDERING/SPECIFYING INFO

| FEATURES | FASTENING | FINISH | | |
|----------|--|---|--|--|
| | BOL - Bolt-On | POW - Powder Coat ST - Stainless Steel | | |
| OPTIONS | | | | |
| EXAMPLE | A bolt on stainless steel toilet paper dispenser is : 817-S14-BOL-ST | | | |

Due to continuous product improvement Weizel Security reserves the right to make changes in design and specifications without prior notice. All dimensions should be verified with Weizel Security for current information.

SECURINGHOSPITALS.com

Fax Request to:

604-540-5263 and we'll contact you back.

Name: _____
 Facility: _____
 Email: _____
 Phone: _____
 Fax number: _____

Email Request to:

OrderDesk@SecuringHospitals.com

8.1 WALLS & CEILINGS

TOILET PAPER & PAPER TOWEL DISPENSERS

SafeSupport® Impact Resistant TP Holder

817-S15

APPLICATION

Applicable in the following areas of a Behavioral Health Facility:
Patient Washrooms

FUNCTION

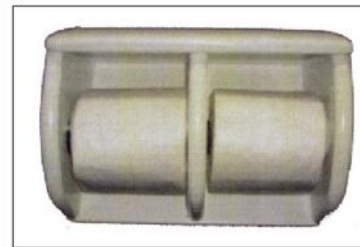
Replaces existing toilet paper holders for suicide resistance

STANDARD FEATURES

Roll capacity: one or two
Color: gossamer, quarry grey, sand or solid colors
Material: impact-resistant solid surface Corian
Dowels: flexible, breakaway polyethylene foam rubber

OPTIONAL FEATURES

TECHNICAL DATA



DOWELS COLLAPSE UNDER EXCESSIVE WEIGHT



817-S15 STANDARD DIMENSIONS

817-S15 - ORDERING/SPECIFYING INFO

| FEATURES | ROLLS | COLOR | | |
|----------|---|--|--|--|
| | 1 - One Roll 2 - Two Rolls | GOS - Gossamer GRE - Quarry grey SAN - Sand SOL-Solid Color | | |
| OPTIONS | | | | |
| EXAMPLE | A two roll, sand colored dispenser is: 817-S15-2-SAN | | | |

Due to continuous product improvement Weizel Security reserves the right to make changes in design and specifications without prior notice. All dimensions should be verified with Weizel Security for current information.

SECURINGHOSPITALS.com

Fax Request to:

604-540-5263 and we'll contact you back.

Name: _____
Facility: _____
Email: _____
Phone: _____
Fax number: _____

Email Request to:

OrderDesk@SecuringHospitals.com

SafeSupport® Recessed TP Holder

817-S16

APPLICATION

Applicable in the following areas of a Behavioral Health Facility:
Patient Washrooms

FUNCTION

Replaces existing toilet paper holders for suicide resistance

STANDARD FEATURES

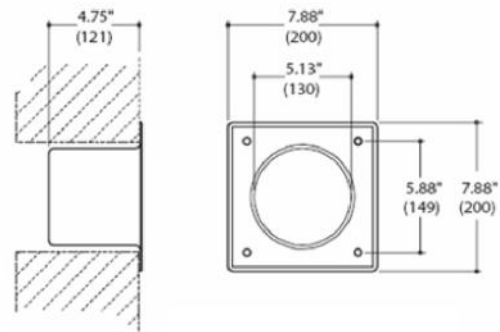
- Mounting: front or rear
- Material: 14ga. 304 stainless steel
- Fastening: torx with pin 1/4-20 x 1" screws
- Mounting: wall sleeve for new construction available
- Construction: back corners rounded for easy cleaning and sanitation
- Installation req's: 5-1/2" dia x 5" deep in wall

OPTIONAL FEATURES

TECHNICAL DATA



RECESSED DESIGN REDUCES LIGATURE RISKS



817-S16 STANDARD DIMENSIONS

817-S16 - ORDERING/SPECIFYING INFO

| FEATURES | MOUNTING | MATERIAL | | |
|----------|--|----------------------|--|--|
| | FRO - Front Mounted REA - Rear Mounted | ST - Stainless Steel | | |
| OPTIONS | | | | |
| EXAMPLE | A front mounted, stainless steel recessed TP dispenser is : 817-S16-FRO-ST | | | |

Due to continuous product improvement Weizel Security reserves the right to make changes in design and specifications without prior notice. All dimensions should be verified with Weizel Security for current information.

SECURINGHOSPITALS.com

Fax Request to:

604-540-5263 and we'll contact you back.

Name: _____
 Facility: _____
 Email: _____
 Phone: _____
 Fax number: _____

Email Request to:

OrderDesk@SecuringHospitals.com

8.1 WALLS & CEILINGS

TOILET PAPER & PAPER TOWEL DISPENSERS

SafeSupport® SR Paper Towel Dispenser

817-S45

APPLICATION

Applicable in the following areas of a Behavioral Health Facility:
Patient Washrooms

FUNCTION

Lockable to increase vandalism deterrence
Encloses existing paper towel dispensers to reduce ligature risk

STANDARD FEATURES

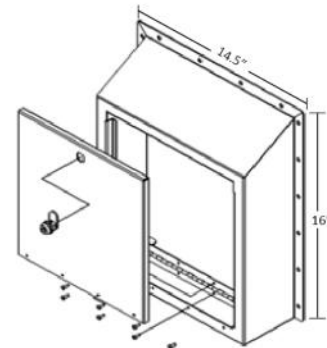
Type: c-fold towels
Material: 16ga steel or 16ga stainless steel
Finish: US32D or powder coat: white, tan or grey
Sloped top: designed to reduce attempts to use it as a ligature point

OPTIONAL FEATURES

TECHNICAL DATA



SLOPED DESIGN REDUCES LIGATURE RISK



817-S45 STANDARD DIMENSIONS

817-S45 - ORDERING/SPECIFYING INFO

| FEATURES | TYPE | MAT/FINISH | KEYING | |
|----------|--|--|-----------------|--|
| | CF-Center Fold | POW - Steel, Powder Coat ST-Stainless Steel | A - Keyed Alike | |
| OPTIONS | | | | |
| EXAMPLE | A center fold type dispenser with a powder coat finish keyed alike is: 817-S45-CF-POW-A | | | |

Due to continuous product improvement Weizel Security reserves the right to make changes in design and specifications without prior notice. All dimensions should be verified with Weizel Security for current information.

SECURINGHOSPITALS.com

Fax Request to:

604-540-5263 and we'll contact you back.

Name: _____
Facility: _____
Email: _____
Phone: _____
Fax number: _____

Email Request to:

OrderDesk@SecuringHospitals.com

Recessed Security Lighting

818-R13

APPLICATION

Applicable in the following areas of a Behavioral Health Facility:
 Corridors/Interview Rooms Lounges/Activity Rooms
 Patient Rooms Patient Washrooms
 Seclusion Rooms

FUNCTION

Replaces existing conventional light fixtures for vandal resistance

STANDARD FEATURES

Size/Lamps: 1' x 4, 2' x 2', 2' x 4'; avail in 2, 3, or 4 lamps
 Lamp type: T5, T8 or T5H0
 Ballast: EB10S or specified ballasts
 Exterior Lens: .250 clear polycarbonate or .250 clear temp
 Interior Lens: .125 prismatic, .156 prismatic or .14 DR prismatic
 Finish: white polyester powder coat, available with AgION

OPTIONAL FEATURES

TECHNICAL DATA

16ga. C.R.S. housing and door
 4lb density polyester foam gasket
 Voltage: 347V or 120V-277V



RECESSED DESIGN REDUCES LIGATURE RISK



SLOPED DESIGN REDUCES LIGATURE RISK

SECURINGHOSPITALS.com

Fax Request to:
 604-540-5263 and we'll contact you back.

Name: _____
 Facility: _____
 Email: _____
 Phone: _____
 Fax number: _____

Email Request to:
OrderDesk@SecuringHospitals.com

818-R13 - ORDERING/SPECIFYING INFO

| FEATURES | SIZE & LAMP # | LAMP TYPE | BALLAST TYPE | LENS TYPE | |
|----------|---|------------------------------|---|---------------------------------------|--|
| OPTIONS | S12 - 2'x 4'x 2 lamp | 5 - T5 8 - T8 H - T5H0 | E - EB10S ELEC-TRIC BALLAST S - SPECIFIC BALLAST | 3A - .250 CLEAR POLY/.125 PRISMATIC | |
| | S13 - 2'x 4'x 3 lamp | | | 3C - .250 CLEAR POLY/.14 DR PRISMATIC | |
| | S14 - 2'x 4'x 4 lamp | | | 3G - .250 CLEAR POLY/.156 PRISMATIC | |
| | S22 - 2' x 2' x 2 lamp | | | 7A - .250 CLEAR TEMP/.125 PRISMATIC | |
| | S23 - 2' x 2' x 3 lamp | | | 7C - .250 CLEAR TEMP/.14 DR PRISMATIC | |
| | S24 - 2' x 2' x 4 lamp | | | 7G - .250 CLEAR | |
| | S32 - 1' x 4' x 2 lamp | | | | |
| | S33 - 1' x 4' x 3 lamp | | | | |
| | EXAMPLE | | | | |
| | A 4 x 2 2 lamp - type t5 with electric ballast and clear poly .125 prismatic is: 818-S13-S1-2-5-E-3A | | | | |

Due to continuous product improvement Weizel Security reserves the right to make changes in design and specifications without prior notice. All dimensions should be verified with Weizel Security for current information.

8.1 WALLS & CEILINGS

SPRINKLERS

SafeSupport® Sprinkler

819-S17

APPLICATION

Applicable in the following areas of a Behavioral Health Facility:

Corridors/Interview Rooms Lounges/Activity Rooms

Patient Rooms Patient Washrooms

Seclusion Rooms

FUNCTION

Replaces sprinklers to reduce vandalism and ligature risk

STANDARD FEATURES

Mounting: wall or ceiling

Escutcheon: available with or without

Installation wrench available (recommended)

Finish: white or chrome

Sealing assembly: beryllium nickel with teflon®

Body assembly: copper link w/ brass body

OPTIONAL FEATURES

TECHNICAL DATA

UL and C-UL Listed

Maximum working pressure 175 psi (12, bar)

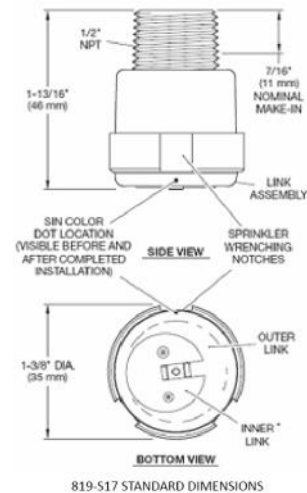
Inlet thread connection 1/2 inch NPT

Discharge Co-efficient: K=5.6 GPM/psi (80,6 LPM/bar)

Temperature ratings 165°F/74°



RECESSED DESIGN REDUCES LIGATURE RISK



819-S17 STANDARD DIMENSIONS

819-S17 - ORDERING/SPECIFYING INFO

| FEATURES | MOUNTING | COLOR | ESCUTCHEON | WRENCH |
|----------|--|-----------------------------|---|---------------------------------------|
| | CEI - Ceiling WAL - Wall | CHR - Chrome WHI - White | 1 - With Escutcheon 2 - W/O Escutcheon | 1 - With Wrench 2 - Without Wrench |
| OPTIONS | | | | |
| EXAMPLE | A ceiling mount, chrome sprinkler including escutcheon and wrench is: 819-R02-CEI-CHR-1-1 | | | |

Due to continuous product improvement Weizel Security reserves the right to make changes in design and specifications without prior notice. All dimensions should be verified with Weizel Security for current information.

SECURINGHOSPITALS.com

Fax Request to:

604-540-5263 and we'll contact you back.

Name: _____
 Facility: _____
 Email: _____
 Phone: _____
 Fax number: _____

Email Request to:

OrderDesk@SecuringHospitals.com

SPSL Anti-Ligature Lockset

821-R03

APPLICATION

Applicable in the following areas of a Behavioral Health Facility:
 Lounges/Activity Rooms Patient Rooms
 Patient Washrooms

FUNCTION

Replaces existing lever mortise and cylindrical locksets for patient safety

STANDARD FEATURES

Application: mortise, cylindrical 2-3/4 or 5" backset
 Function: inst. privacy, storeroom, passage, classroom, asylum 1-4
 Handing: LH, RH, LHR, RHR
 Finish: US32D
 Tapered, free-moving levers

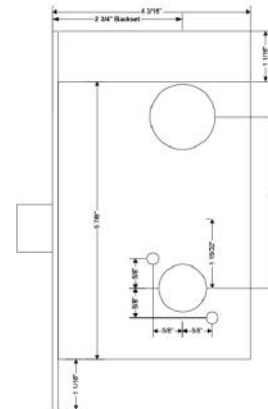
OPTIONAL FEATURES

TECHNICAL DATA

Independent lever springs for years of trouble-free usage
 Tapered, free-moving levers
 ADA compliant
 Built-in movement restrictors to reduce lock body wear and tear



TAPERED FREE MOVING LEVER REDUCES LIGATURE RISK



821-R03 STANDARD DIMENSIONS

821-R03 - ORDERING/SPECIFYING INFO

| FEATURES | APPLICATION | FUNCTION | HANDING |
|----------|---------------------------------|--|---|
| OPTIONS | ML - Mortise lock | A - Institution P - Privacy | LH - Left Hand LHR - Left Hand Reverse |
| | CL - Cylindrical 2 3/4" Backset | D - Storeroom | RH - Right Hand RHR - Right Hand Reverse |
| | CL5 - Cylindrical 5" Backset | INL - Intruder | |
| | | ON - Passage | |
| | | R - Classroom W0 - Asylum 3 W1 - Asylum 1 W2 - Asylum 2 W20 - Asylum 4 | |

EXAMPLE
 A SPSL passage mortise lockset in right hand is:
 821-R03-ML-ON-RH

Due to continuous product improvement Weizel Security reserves the right to make changes in design and specifications without prior notice. All dimensions should be verified with Weizel Security for current information.



Fax Request to:

604-540-5263 and we'll contact you back.

Name: _____
 Facility: _____
 Email: _____
 Phone: _____
 Fax number: _____

Email Request to:

OrderDesk@SecuringHospitals.com

8.2 DOORS & HARDWARE

LOCK & LATCHSETS

SafeSupport® Push/Pull Latchset

821-S18

APPLICATION

Applicable in the following areas of a Behavioral Health Facility:

Lounges/Activity Rooms Patient Rooms
Patient Washrooms

FUNCTION

Replaces existing lever mortise and cylindrical locksets for patient safety

STANDARD FEATURES

Profile: slim or standard; cylindrical or mortise
Function: asylum, classroom, dorm, bath, storeroom, hotel, passage,
Handing: LH, RH, LHR, RHR
Push/pull trim mounted handles up, down or horizontal
No screw access on push side of door

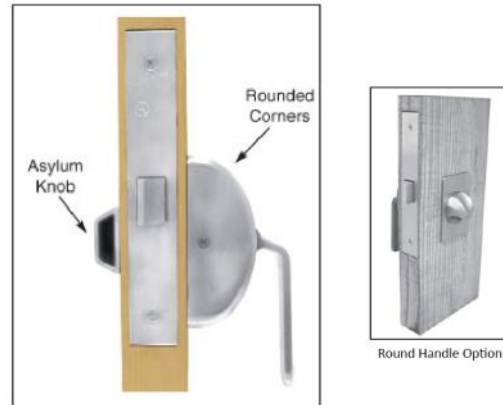
OPTIONAL FEATURES

TECHNICAL DATA

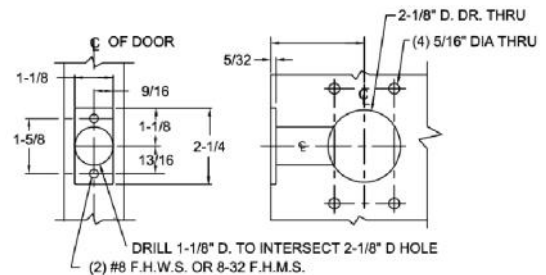
Backset: 2-3/4", 5" or 7"

ADA compliant

UL Fire-rated



SLOPED LATCH REDUCES LIGATURE RISK



821-S18 STANDARD DIMENSIONS

821-S18 - ORDERING/SPECIFYING INFO

| FEATURES | PROFILE | FUNCTION | HANDING |
|----------|---------------------|--|--------------------------|
| OPTIONS | SLM - Slim | ASY - Asylum | LH - Left Hand |
| | Profile Mortise | CLA - Classroom | LHR - Left Hand Reverse |
| | STM - Standard | DOR - Dormitory | RH - Right Hand |
| | Profile Mortise | ENT - Bath | RHR - Right Hand Reverse |
| | SLC - Slim | EXI - Storeroom/Exit | |
| | Profile Cylinder | HOT - Hotel | |
| | STC - Standard | PAS - Passage | |
| | Profile Cylindrical | PRI - Institutional Privacy | |
| | | STO - Storeroom | |
| | EXAMPLE | A left hand classroom latchset in slim cylindrical profile is: 821-S18-CLA-LH-SLC | |

Due to continuous product improvement Weizel Security reserves the right to make changes in design and specifications without prior notice. All dimensions should be verified with Weizel Security for current information.

SECURINGHOSPITALS.com

Fax Request to:

604-540-5263 and we'll contact you back.

Name: _____
Facility: _____
Email: _____
Phone: _____
Fax number: _____

Email Request to:

OrderDesk@SecuringHospitals.com

SafeSupport® Anti-Ligature Lockset

821-S21

APPLICATION

Applicable in the following areas of a Behavioral Health Facility:
 Lounges/Activity Rooms Patient Rooms
 Patient Washrooms

FUNCTION

Replaces existing locksets with anti-ligature lockset

STANDARD FEATURES

Application: mortise or cylindrical
 Style: lever or knob
 Function: classroom, dorm, entrance, office, passage, etc
 Handing: LH, RH, LHR, RHR
 US32D finish

OPTIONAL FEATURES

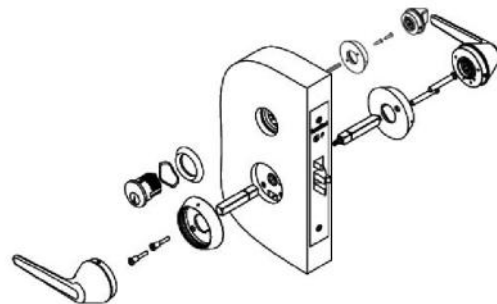
Ligature resistant knob available

TECHNICAL DATA

Heat treated steel spindles
 UL listed for a 3 hour fire door
 ANSI A-156.13-2005
 ADA barrier-free accessibility
 Outside clutching lever to protect lock against abuse



TAPERED FREE MOVING LEVER REDUCES LIGATURE RISK



821-S21 PARTS BREAK DOWN

821-S21 - ORDERING/SPECIFYING INFO

| FEATURES | APPLICATION | STYLE | FUNCTION | HANDING |
|----------|--------------------------------|-------------------|---|---|
| | M - Mortise C - Cylindrical | 1-Lever 2-Knob | CL-Classroom DE - Dormitory W/ Deadbolt DO - Dormitory EN - Entrance OF - Entry/Office PA - Passage PR - Privacy/ Bath ST - Storeroom | LH- Left Hand LHR-Left Hand Reverse RH-Right Hand RHR-Right Hand Reverse |

EXAMPLE
 A mortise knob right handed dormitory lockset is:
821-S21-M-2-DO-RH

Due to continuous product improvement Weizel Security reserves the right to make changes in design and specifications without prior notice. All dimensions should be verified with Weizel Security for current information.

SECURINGHOSPITALS.com

Fax Request to:

604-540-5263 and we'll contact you back.

Name: _____
Facility: _____
Email: _____
Phone: _____
Fax number: _____

Email Request to:

OrderDesk@SecuringHospitals.com

8.2 DOORS & HARDWARE

DEADBOLTS

SafeSupport® SR Deadbolt

823-S20

APPLICATION

Applicable in the following areas of a Behavioral Health Facility:
 Lounges/Activity Rooms Patient Rooms
 Patient Washrooms

FUNCTION

Replaces existing mortised deadbolts for ligature resistance

STANDARD FEATURES

SaniGuard: available with or without
 Mat/Finish: US32D stainless steel
 Backset: 2-3/4"
 Cylinders: accepts standard cylinders
 Bolt Throw: 1" anti-saw deadbolt

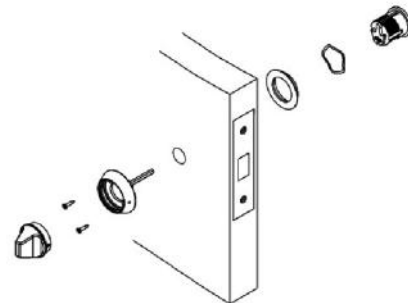
OPTIONAL FEATURES

TECHNICAL DATA

Accommodates doors 1-3/8" to 2" thick
 ADA barrier-free accessibility
 Meets or exceeds ANSI A156.5 Grade 1 strength



SLOPED KNOB REDUCES LIGATURE RISK



823-S20 PARTS BREAK DOWN

823-S20 - ORDERING/SPECIFYING INFO

| FEATURES | SANIGUARD | COLOR | | |
|----------|---|----------------------|--|--|
| | 0 - w/o SaniGuard 1 - w/ SaniGuard | ST - Stainless Steel | | |
| OPTIONS | | | | |
| EXAMPLE | A stainless steel deadbolt with SaniGuard is: 823-S20-1-ST | | | |

Due to continuous product improvement Weizel Security reserves the right to make changes in design and specifications without prior notice. All dimensions should be verified with Weizel Security for current information.

SECURINGHOSPITALS.com

Fax Request to:

604-540-5263 and we'll contact you back.

Name: _____
 Facility: _____
 Email: _____
 Phone: _____
 Fax number: _____

Email Request to:

OrderDesk@SecuringHospitals.com

SafeSupport® Continuous Gear Hinge

824-S22

APPLICATION

Applicable in the following areas of a Behavioral Health Facility:
 Patient Rooms Patient Washrooms
 Seclusion Rooms

FUNCTION

Replaces standard mortise hinges for reduction of looping hazards

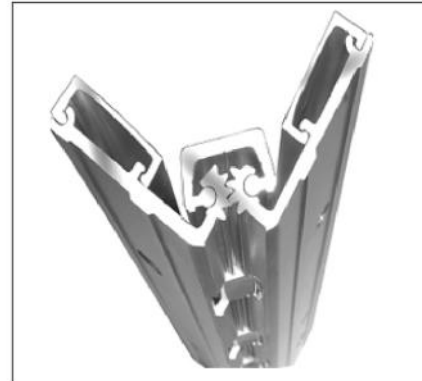
STANDARD FEATURES

Style: full surface or full mortise
 Size: 79", 83", 85", 95" or 120"
 Pin: regular or hospital tipped
 Finish: clear aluminum, black or dark bronze
 Mount: flush mounted or 1/8" inset
 Material: 6063-T6 aluminum alloy

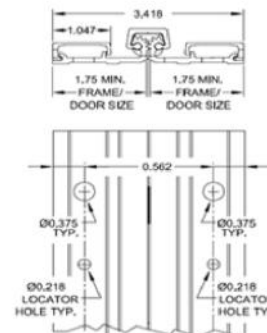
OPTIONAL FEATURES

TECHNICAL DATA

For 2-1/4" doors up to 450lbs with a 7/8" minimum frame
 Hinge is non-handed unless cut in the field
 UL listed for up to three hours with use of a steel stud



REDUCES LIGATURE RISK FROM STANDARD MORTISE HINGES



824-S22 STANDARD DIMENSIONS

824-S22 - ORDERING/SPECIFYING INFO

| FEATURES | STYLE | SIZE | HOSPITAL TIP | FINISH |
|----------|--|----------|--|---|
| OPTIONS | FM - Full Mortise | 2 - 95" | 0 - No Hospital Tip HT - Hospital Tip | AL - Clear Aluminum BL - Black DB - Dark Bronze |
| | FS - Full Surface | 3 - 120" | | |
| | | 4 - 79" | | |
| | | 5 - 83" | | |
| | | 6 - 85" | | |
| EXAMPLE | A full mortise aluminum gear 79" hospital tipped hinge is: 824-S22-FM-4-HT-AL | | | |

Due to continuous product improvement Weizel Security reserves the right to make changes in design and specifications without prior notice. All dimensions should be verified with Weizel Security for current information.

SECURINGHOSPITALS.com

Fax Request to:

604-540-5263 and we'll contact you back.

Name: _____
 Facility: _____
 Email: _____
 Phone: _____
 Fax number: _____

Email Request to:

OrderDesk@SecuringHospitals.com

SafeSupport® Continuous Hinge

824-S23

APPLICATION

Applicable in the following areas of a Behavioral Health Facility:
 Patient Rooms Patient Washrooms
 Seclusion Rooms

FUNCTION

Replaces standard mortise hinges for reduction of looping hazards

STANDARD FEATURES

Style: full surface or full mortise
 Size: 79", 83", 85", 95" or 120"
 Pin: regular or hospital tipped
 Finish: clear aluminum, black or dark bronze
 Mount: flush mounted or 1/8" inset
 Material: 14ga. type 304 stainless steel

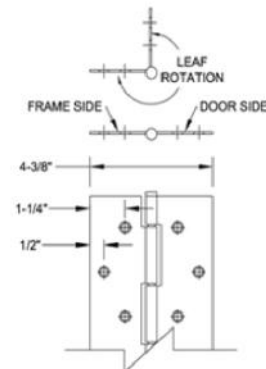
OPTIONAL FEATURES

TECHNICAL DATA

For 48"W x 1-3/4" doors up to 120" L x 600lbs
 UL & ULC fire listed



REDUCES LIGATURE RISK FROM STANDARD MORTISE HINGES



824-S23 STANDARD DIMENSIONS

824-S23 - ORDERING/SPECIFYING INFO

| FEATURES | STYLE | SIZE | HOSPITAL TIP | FINISH |
|----------|---|--|--------------|--|
| | FM - Full Mortise FS - Full Surface | 3 - 95" 3 - 120" 4 - 79" 5 - 83" 6 - 85" | | 0 - No Hospital Tip HT - Hospital Tip |
| OPTIONS | | | | |
| EXAMPLE | A full mortise aluminum 79" hospital tipped hinge is: 824-S23-FM-4-HT-AL | | | |

Due to continuous product improvement Weizel Security reserves the right to make changes in design and specifications without prior notice. All dimensions should be verified with Weizel Security for current information.

SECURINGHOSPITALS.com

Fax Request to:

604-540-5263 and we'll contact you back.

Name: _____
 Facility: _____
 Email: _____
 Phone: _____
 Fax number: _____

Email Request to:

OrderDesk@SecuringHospitals.com

SafeSupport® SR Hospital tip Mortise Hinge

824-S24

APPLICATION

Applicable in the following areas of a Behavioral Health Facility:
 Corridors/Interview Rooms Lounges/Activity Rooms
 Patient Rooms Patient Washrooms

FUNCTION

Applicable in low risk areas and as a minimum standard
 Replaces existing standard mortise hinges to hospital tips

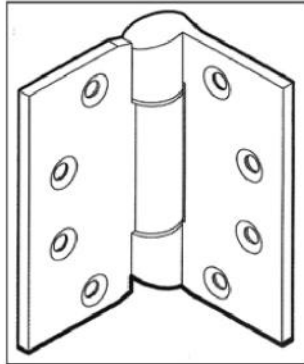
STANDARD FEATURES

Thickness: .134ga or .180ga
 Finish: US26D or US32D
 Pin: hospital tipped, non-removable pin

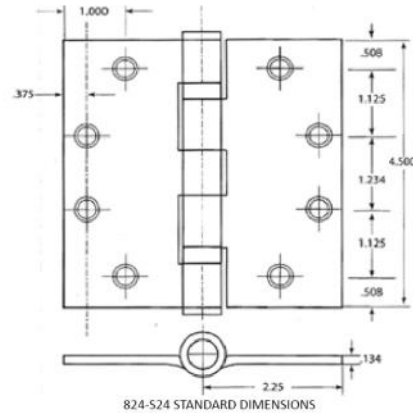
OPTIONAL FEATURES

TECHNICAL DATA

Capacity for 300lb door (3 hinges)
 ANSI/BHMA A156.7
 Anti-friction bearings



HOSPITAL TIP REDUCES LIGATURE RISK



824-S24 STANDARD DIMENSIONS

824-S24 - ORDERING/SPECIFYING INFO

| FEATURES | THICKNESS | FINISH | | |
|----------|--|----------------------------|--|--|
| | 1 - .134 GA 2 - .180 GA | 26D - US26D 32D - US32D | | |
| OPTIONS | | | | |
| EXAMPLE | A .134 ga. hinge in 26D is: 824-S24-1-26D | | | |

Due to continuous product improvement Weizel Security reserves the right to make changes in design and specifications without prior notice. All dimensions should be verified with Weizel Security for current information.

SECURINGHOSPITALS.com

Fax Request to:

604-540-5263 and we'll contact you back.

Name: _____
Facility: _____
Email: _____
Phone: _____
Fax number: _____

Email Request to:

OrderDesk@SecuringHospitals.com

SafeSupport® Anti-Ligature Raised Pull

824-S43

APPLICATION

Applicable in the following areas of a Behavioral Health Facility:

- Lounges/Activity Rooms Patient Rooms
- Patient Washrooms Seclusion Rooms

FUNCTION

Replaces existing pulls to reduce ligature risks

STANDARD FEATURES

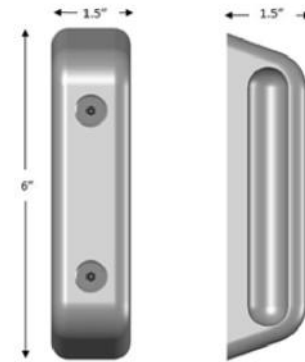
Finish: anodized aluminum or powder coat
 Fastening: torx or hex w/pin FHMS (1/4-20 x 2”), avail. w/mounting plate

OPTIONAL FEATURES

TECHNICAL DATA



SLOPED DESIGN REDUCES LIGATURE RISK



824-S43 STANDARD DIMENSIONS

824-S43 - ORDERING/SPECIFYING INFO

| FEATURES | FINISH | FASTENING | | |
|----------|---|--|--|--|
| | AL -Anodized Aluminum POW - Powder Coat | TOR - Torx Head w/ Pin PLA - Torx Head w/ Mounting Plate Hex - Hex Head w/ Pin | | |
| OPTIONS | | | | |
| EXAMPLE | A anodized aluminum raised pull with mounting plate and torx screws is: 824-S43-AL-PLA | | | |

Due to continuous product improvement Weizel Security reserves the right to make changes in design and specifications without prior notice. All dimensions should be verified with Weizel Security for current information.

SECURINGHOSPITALS.com

Fax Request to:

604-540-5263 and we'll contact you back.

Name: _____
 Facility: _____
 Email: _____
 Phone: _____
 Fax number: _____

Email Request to:

OrderDesk@SecuringHospitals.com

SafeSupport® SR Recessed Pull

824-S46

APPLICATION

Applicable in the following areas of a Behavioral Health Facility:

- Lounges/Activity Rooms Patient Rooms
- Patient Washrooms Seclusion Rooms

FUNCTION

Replaces existing pulls to reduce ligature risks

STANDARD FEATURES

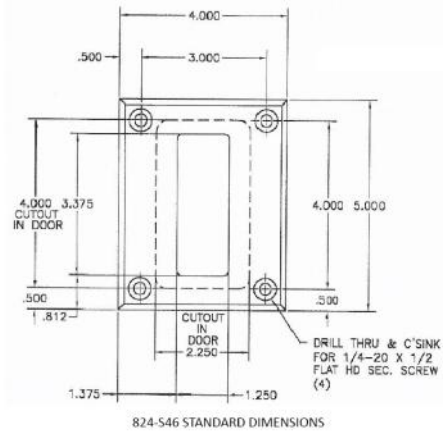
Material: stainless steel
Finish: US26D or US32D

OPTIONAL FEATURES

TECHNICAL DATA



RECESSED DESIGN REDUCES LIGATURE RISK



824-S46 STANDARD DIMENSIONS

824-S46 - ORDERING/SPECIFYING INFO

| FEATURES | MATERIAL | FINISH | | |
|----------|--|----------------------------|--|--|
| | ST - Stainless Steel | 26D - US26D 32D - US32D | | |
| OPTIONS | | | | |
| EXAMPLE | A recessed pull in 32D stainless steel is: 824-S46-ST-32D | | | |

Due to continuous product improvement Weizel Security reserves the right to make changes in design and specifications without prior notice. All dimensions should be verified with Weizel Security for current information.

SECURINGHOSPITALS.com

Fax Request to:

604-540-5263 and we'll contact you back.

Name: _____
 Facility: _____
 Email: _____
 Phone: _____
 Fax number: _____

Email Request to:

OrderDesk@SecuringHospitals.com

SafeSupport® FS Continuous Spring Hinge

825-S25

APPLICATION

Applicable in the following areas of a Behavioral Health Facility:
 Patient Rooms Patient Washrooms

FUNCTION

Reduces looping and ligature points inherent with standard hinges
 Reduces ligature opportunities caused by traditional closers
 Provides for closing on doors where required

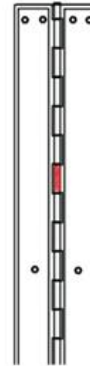
STANDARD FEATURES

Hinge size: 79", 83" standard
 Security hinge cap - powder coated aluminum
 Hinge - aluminum or stainless steel
 Fasteners: Cap - #10 x 1" BHSS Torx w/pin
 Hinge: #10 x 3/4" FHSS Torx w/pin

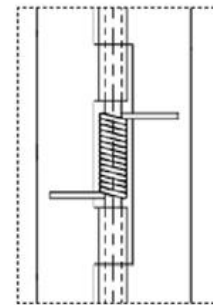
OPTIONAL FEATURES

TECHNICAL DATA

For solid core wood doors up to 83" tall and 175lbs



HINGE ELIMINATES NEED FOR CLOSERS WHILE PROVIDING PATIENT



INTEGRAL SPRING CLOSES DOOR AUTOMATICALLY

825-S25 - ORDERING/SPECIFYING INFO

| FEATURES | SIZE | FINISH | | |
|----------|---|---|--|--|
| | 79 - 79" long 83 - 83" long CUS - Custom Length(in") | AA - Aluminum Cap & Hinge x Powder Coat AS - Aluminum Cap (Coat) & Stainless Steel Hinge | | |
| OPTIONS | | | | |
| EXAMPLE | A 79" continuous spring hinge & cap aluminum : 825-S25-79-AA | | | |

Due to continuous product improvement Weizel Security reserves the right to make changes in design and specifications without prior notice. All dimensions should be verified with Weizel Security for current information.

SECURINGHOSPITALS.com

Fax Request to:

604-540-5263 and we'll contact you back.

Name: _____
 Facility: _____
 Email: _____
 Phone: _____
 Fax number: _____

Email Request to:

OrderDesk@SecuringHospitals.com

SafeSupport® SR Bathroom Door Assembly

826-S44

APPLICATION

Applicable in the following areas of a Behavioral Health Facility:
 Patient Washrooms Lounges/Activity Rooms
 Seclusion Rooms

FUNCTION

Manufactured retrofit solution increases patient safety on bathroom doors
 Manufactured and out of the box four side solution installation ease

STANDARD FEATURES

Type: Full 4 point door retrofit and an option to have 3 point retrofit
 Retrofit assembly: 79", 83" or custom lengths; 1-3/4"D x 35-3/4"W
 Both 3 & 4 sided receive: FS (alum) continuous hinge
 Both 3 & 4 sided receive: top & bottom US32D caps with secure screws
 4 sided receives: roller latch & strike (ASA or ANSI prep)
 4 sided receives: SafeSupport® anti-ligature raised pulls with mtg plate

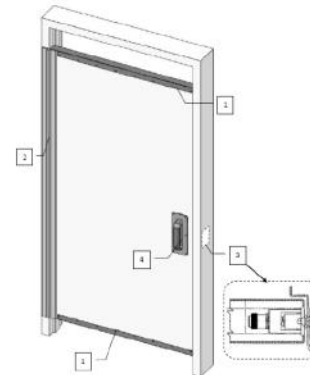
OPTIONAL FEATURES

TECHNICAL DATA

Retrofit Application: GC or facility removes existing door and cuts down 5 in" off top and bottom



DESIGN REDUCES LIGATURE RISK AND PROTECTS FLUSH VALVES



826-S44 STANDARD 4-SIDE ASSEMBLY

- 1. Two SafeSupport Door Guard Sets
- 2. Hospital Tipped Full Surface Continuous Gear Hinge
- 3. Roller Latch and Strike (Not Included with 3-Side Assembly)
- 4. Two 824-543 Raised Pulls with Integral Mounting Plate (Not Included with 3-Side Assembly)

826-S44 - ORDERING/SPECIFYING INFO

| FEATURES | TYPE | DOOR HEIGHT | | |
|----------|--|---|--|--|
| | 1 - Complete (4 Sided) | 79 - 79" long | | |
| | 2 - Partial (3 Sided) | 83 - 83" long CUS - Custom Length(in") | | |
| OPTIONS | | | | |
| EXAMPLE | A complete 4 sided assembly for a 79" door (pre-cut) is: 826-S44-1-79 | | | |

Due to continuous product improvement Weizel Security reserves the right to make changes in design and specifications without prior notice. All dimensions should be verified with Weizel Security for current information.

SECURINGHOSPITALS.com

Fax Request to:

604-540-5263 and we'll contact you back.

Name: _____
 Facility: _____
 Email: _____
 Phone: _____
 Fax number: _____

Email Request to:

OrderDesk@SecuringHospitals.com

SafeSupport® SR Undersink Enclosure

831-S27

APPLICATION

Applicable in the following areas of a Behavioral Health Facility:
Patient Washrooms

FUNCTION

Encloses components beneath sinks for patient safety

STANDARD FEATURES

Model: field cut or factory precut (refer to list)
Material: thickness is .093"
Size: Fits most 20" x 18" and 19" x 17" wall-hung lavatories
Sanitation: Will not fade or discolor; Bacterial and fungal resistant
Mounting: torx w/pin flat head fasteners (1/4-20 x 2")

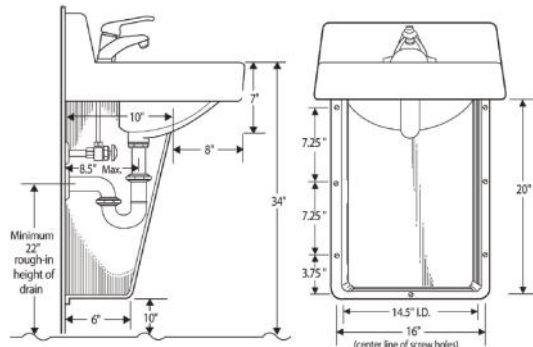
OPTIONAL FEATURES

TECHNICAL DATA

Meets flammability rating UL-94 V-0



PREVENTS UNAUTHORIZED ACCESS TO PLUMBING UNDERNEATH LAVATORIES



831-S27 STANDARD DIMENSIONS

831-S27 - ORDERING/SPECIFYING INFO

| FEATURES | MODEL | MOUNTING | | |
|----------|---|------------------|--|--|
| | FIE- Field Cut PRE - Factory Pre-cut | TOR - Torx w/Pin | | |
| OPTIONS | | | | |

EXAMPLE A field cut undersink enclosure with torx screws is:
831-S27-FIE-TOR

Due to continuous product improvement Weizel Security reserves the right to make changes in design and specifications without prior notice. All dimensions should be verified with Weizel Security for current information.

SECURINGHOSPITALS.com

Fax Request to:
604-540-5263 and we'll contact you back.

Name: _____
Facility: _____
Email: _____
Phone: _____
Fax number: _____

Email Request to:
OrderDesk@SecuringHospitals.com

SafeSupport® SR Flush Valve Enclosure

831-S39

APPLICATION

Applicable in the following areas of a Behavioral Health Facility:
Patient Washrooms

FUNCTION

Encloses exposed flush valves on toilets and urinals
Sloped top design minimizes ligature risk

STANDARD FEATURES

Material: polished 16ga. type 304-2B stainless steel
Finishes: white, tan or grey powder coat
Design: removable access cover panel for ease of maintenance
Security: torx security screws for cover panel (1/4-20 x 1/2" BHMS Torx)

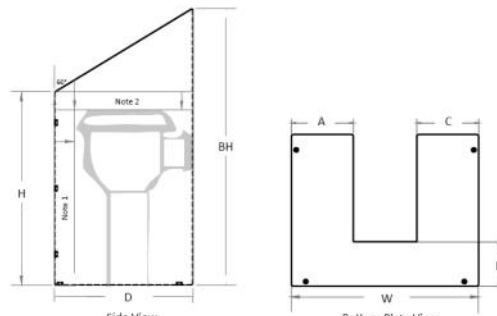
OPTIONAL FEATURES

Custom sizes available

TECHNICAL DATA



DESIGN REDUCES LIGATURE RISK AND PROTECTS FLUSH VALVES



| | D | H | W | BH |
|---|-------------|-------------|-------------|---------|
| 1 | D1 = 4" OD | H1 = 17" OD | W1 = 12" OD | H + 2.3 |
| 2 | D2 = 6" OD | H2 = 21" OD | W2 = 14" OD | H + 3.5 |
| 3 | D3 = 9" OD | H3 = 29" OD | W3 = 16" OD | H + 5.2 |
| 4 | D4 = 12" OD | H4 = 37" OD | | H + 6.9 |

Note 1: Recommended clearance from front of valve to front of enclosure is 1.25"
Note 2: Recommended clearance from top of valve to top of "H" dimension is 2.25"
Note 3: Dimensions A, B, and C must be greater than 1.5"

831-S39 - ORDERING/SPECIFYING INFO

| FEATURES | DEPTH | HEIGHT | WIDTH | MATERIAL/FIN |
|------------|--|------------|------------|----------------|
| C - Custom | C - Custom | C - Custom | C - Custom | ST - Stainless |
| Depth | D1 - D1 | H1 - H1 | C1 - C1 | Steel |
| | D2 - D2 | H2 - H2 | C2 - C2 | SP - Powder |
| | D3 - D3 | H3 - H3 | C3 - C3 | Coat Stainless |
| | D4 - D4 | H4 - H4 | C4 - C4 | Steel |
| OPTIONS | | | | |
| EXAMPLE | A stainless steel flush valve enclosure with dimensions D1xH2xC4 is: 831-S39-D1-H2-C4-ST | | | |

Due to continuous product improvement Weizel Security reserves the right to make changes in design and specifications without prior notice. All dimensions should be verified with Weizel Security for current information.

SECURINGHOSPITALS.com

Fax Request to:

604-540-5263 and we'll contact you back.

Name: _____
 Facility: _____
 Email: _____
 Phone: _____
 Fax number: _____

Email Request to:

OrderDesk@SecuringHospitals.com

SR Patient Sink Faucet

832-R12

APPLICATION

Applicable in the following areas of a Behavioral Health Facility:
Patient Washrooms

FUNCTION

Retrofits pre-existing faucets to reduce ligature potential

STANDARD FEATURES

- Centers: 4" or 8"
- Color: sand, quarry grey gossimer or solid colors
- Sink: available with or without sink basin
- Valve: pneumatic operator and actuator button assembly
- Fasteners: tamperproof 1/4-20 stainless steel bolts

OPTIONAL FEATURES

TECHNICAL DATA

- ADA compliant
- 0.5gpm flow control
- Molded plastic valve body
- Combination check stops with inlet strainers
- Forged brass body with chrome exposed parts



SLOPED DESIGN REDUCES LIGATURE RISK



832-R12 4" CENTER DESIGN

832-R12 - ORDERING/SPECIFYING INFO

| FEATURES | CENTER | COLOR | SINK |
|----------|---|--|------------------------------|
| | 4 - 4" 8 - 8" | ALM - Almond QUA - Quarry SAN - Sand WHI - White SPI - Spice | 0 - No Sink 1 - With Sink |
| OPTIONS | | | |
| EXAMPLE | A white faucet with 4" centers, no sink is: 832-R12-4-WHI-0 | | |

Due to continuous product improvement Weizel Security reserves the right to make changes in design and specifications without prior notice. All dimensions should be verified with Weizel Security for current information.

SECURINGHOSPITALS.com

Fax Request to:

604-540-5263 and we'll contact you back.

Name: _____
 Facility: _____
 Email: _____
 Phone: _____
 Fax number: _____

Email Request to:

OrderDesk@SecuringHospitals.com

SafeSupport® SR Stainless Steel Lavatory

832-S28

APPLICATION

Applicable in the following areas of a Behavioral Health Facility:
Patient Washrooms

FUNCTION

Stainless steel lavatory reduces ligature risk in patient washrooms

STANDARD FEATURES

- Mounting: front or rear mounted
- Valve: single-temp or dual-temp pushbutton pneumatic valve
- Bubbler: penal filler/bubbler
- Soap: integral ribbed soap tray
- Material: 14ga. type 304 stainless steel

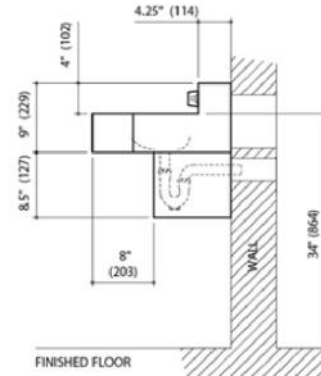
OPTIONAL FEATURES

TECHNICAL DATA

- Rectangular basin with multi-hole fast drain
- Removable bottom panel secured with tamper proof screws
- Valves are mounted inside the fixture body
- 4" (102mm) high backsplash
- 1-1/2" (38mm) OD slip joint P-trap



STEEL CONSTRUCTION PROVIDES VANDAL RESISTANT LAVATORY



832-S28 STANDARD DIMENSIONS

832-S28 - ORDERING/SPECIFYING INFO

| FEATURES | MOUNTING | VALVE TYPE | | |
|----------|--|--|--|--|
| | FRO - Front Mounted REA - Rear Mounted | 1 - Single Temp Pneumatic 2 - Dual Temp Pneumatic | | |
| OPTIONS | | | | |
| EXAMPLE | A front mounted single temp pneumatic laboratory is: 832-S28-FRO-1 | | | |

Due to continuous product improvement Weizel Security reserves the right to make changes in design and specifications without prior notice. All dimensions should be verified with Weizel Security for current information.

SECURINGHOSPITALS.com

Fax Request to:

604-540-5263 and we'll contact you back.

Name: _____
 Facility: _____
 Email: _____
 Phone: _____
 Fax number: _____

Email Request to:

OrderDesk@SecuringHospitals.com

SafeSupport® Composite Lavatory

832-S29

APPLICATION

Applicable in the following areas of a Behavioral Health Facility:
Patient Washrooms

FUNCTION

Ligature resistant lavatory with a non institutional appearance

STANDARD FEATURES

Valve type: battery operated infrared or electronic push button
Finish: available in 24 colors
Mounting: standard lavatory spacing on 30" centers
Material: vandal-resistant solid surface material
Contoured stainless steel access panel; Easy access to solenoid and TMV
Faucet style aerator

OPTIONAL FEATURES

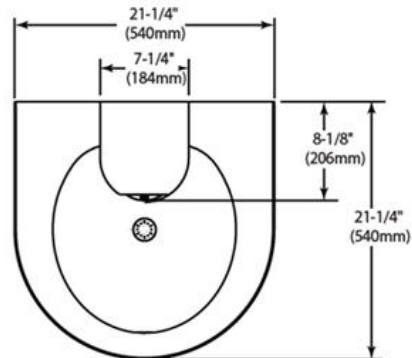
Heater: Electric tankless water heater available

TECHNICAL DATA

ADA and TAS compliant



LAVATORY REDUCES LIGATURE RISK WHILE PROVIDING A RESIDENTIAL LOOK



STANDARD DIMENSIONS OF 832-S29

832-S29 - ORDERING/SPECIFYING INFO

| FEATURES | VALVE TYPE | COLOR | | |
|----------|---|--------------------|--|--|
| | BAT - Battery Operated ELE - Electronic Push Button INF - Infrared | CUS - Custom Color | | |
| OPTIONS | | | | |
| EXAMPLE | A white composite lavatory with infrared valve is: 832-S29-INF-CUS (white) | | | |

Due to continuous product improvement Weizel Security reserves the right to make changes in design and specifications without prior notice. All dimensions should be verified with Weizel Security for current information.

SECURINGHOSPITALS.com

Fax Request to:

604-540-5263 and we'll contact you back.

Name: _____
 Facility: _____
 Email: _____
 Phone: _____
 Fax number: _____

Email Request to:

OrderDesk@SecuringHospitals.com

SafeSupport® Stainless Steel Toilet

833-S32

APPLICATION

Applicable in the following areas of a Behavioral Health Facility:
Patient Washrooms

FUNCTION

Replaces china toilets for vandal and ligature resistance

STANDARD FEATURES

- Mounting: front or rear mounted
- Supply: top or back
- Waste: floor or wall
- Material: 14ga. type 304 stainless steel
- Powder coat: white, tan or grey

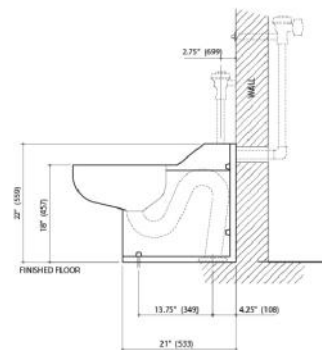
OPTIONAL FEATURES

TECHNICAL DATA

Water consumption: 3.5gpf (13 liters) standard, or 1.6gpf (6 liters) for low
Minimum 1" (25mm) supply of 25psi (172kPa) flushing pressure is required
Bowl and assembly is designed to withstand 5000lbs (22kN)
Trap will pass a 2-5/8" (67mm) diameter ball



STEEL CONSTRUCTION VANDAL RESISTANT TOILET



833-S32 STANDARD DIMENSIONS

833-S32 - ORDERING/SPECIFYING INFO

| FEATURES | MOUNTING | SUPPLY | | |
|----------|---|---------------------------------------|--|--|
| | FLO - Floor Mounted WAL - Wall Mounted | BAC - Back Supply TOP - Top Supply | | |
| OPTIONS | | | | |
| EXAMPLE | A floor mounted back supply toilet is : 831-S32-FLO-BAC | | | |

Due to continuous product improvement Weizel Security reserves the right to make changes in design and specifications without prior notice. All dimensions should be verified with Weizel Security for current information.

SECURINGHOSPITALS.com

Fax Request to:

604-540-5263 and we'll contact you back.

Name: _____
 Facility: _____
 Email: _____
 Phone: _____
 Fax number: _____

Email Request to:

OrderDesk@SecuringHospitals.com

SafeSupport® Shower Head

834-S33

APPLICATION

Applicable in the following areas of a Behavioral Health Facility:
Patient Washrooms

FUNCTION

Retrofits shower heads to reduce ligature risk in showers

STANDARD FEATURES

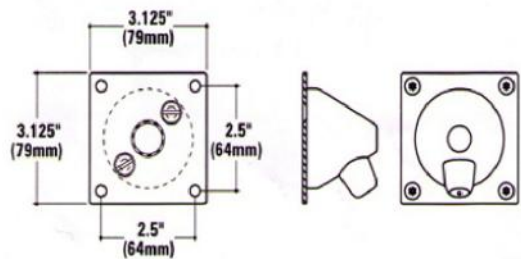
- Degree: 30° or 17.5° security shower head
- Mounting: front or rear
- Finish: US32D
- Construction: brass with triple chrome plating
- Non removable spray head with 2.5gpm flow rate
- Adjustable spray pattern with allen wrench

OPTIONAL FEATURES

TECHNICAL DATA



ANGLED DESIGN REDUCES LIGATURE RISK



834-S33 STANDARD DIMENSIONS

834-S33 - ORDERING/SPECIFYING INFO

| FEATURES | DEGREE | MOUNTING | | |
|----------|--|---|--|--|
| | 1 - 30° angle 2 - 17.5° angle | FRO - Front Mounted REA - Rear Mounted | | |
| OPTIONS | | | | |
| EXAMPLE | A front mounted shower head at 17.5° is : 834-S33-2-FRO | | | |

Due to continuous product improvement Weizel Security reserves the right to make changes in design and specifications without prior notice. All dimensions should be verified with Weizel Security for current information.

SECURINGHOSPITALS.com

Fax Request to:

604-540-5263 and we'll contact you back.

Name: _____
 Facility: _____
 Email: _____
 Phone: _____
 Fax number: _____

Email Request to:

OrderDesk@SecuringHospitals.com

SafeSupport® Shower Panel

834-S35

APPLICATION

Applicable in the following areas of a Behavioral Health Facility:
Patient Washrooms

FUNCTION

Integrated unit provides an entire ligature resistant shower solution

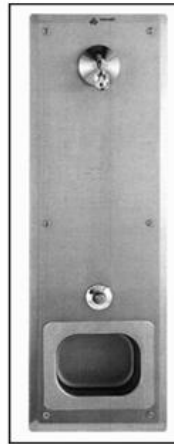
STANDARD FEATURES

- Mounting: front or rear mounted
- Valve: single-temp or dual-temp pushbutton pneumatic valve
- Soap dish: available with or without
- Degree: 30° or 17.5° security shower head
- Galvanized wall box an option
- Material: 14ga. type 304 stainless steel

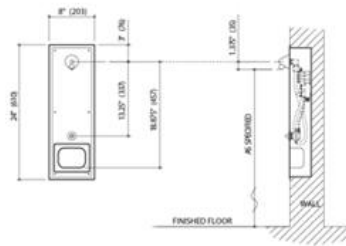
OPTIONAL FEATURES

TECHNICAL DATA

- Flexible supply hoses for easy connection
- 2.5 gpm flow



INTEGRATED BUTTON REDUCES PATIENT SAFETY RISKS



STANDARD DIMENSIONS OF 834-S35

834-S35 - ORDERING/SPECIFYING INFO

| FEATURES | MOUNTING | VALVE TYPE | SOAP DISH | |
|----------|---|--|------------------------------------|--|
| | FRO - Front Mounted REA - Rear Mounted | 1 - Single Temp Pneumatic 2 - Dual Temp Pneumatic | 0 - No Soap Dish SD - Soap Dish | |
| OPTIONS | | | | |
| EXAMPLE | A Front Mounted Single Temp Shower Panel with no soap dish is : 834-S35-FRO-1-0 | | | |

Due to continuous product improvement Weizel Security reserves the right to make changes in design and specifications without prior notice. All dimensions should be verified with Weizel Security for current information.

SECURINGHOSPITALS.com

Fax Request to:

604-540-5263 and we'll contact you back.

Name: _____
 Facility: _____
 Email: _____
 Phone: _____
 Fax number: _____

Email Request to:

OrderDesk@SecuringHospitals.com

SafeSupport® SR Retrofit Shower Knob

834-S40

APPLICATION

Applicable in the following areas of a Behavioral Health Facility:
Patient Washrooms

FUNCTION

Fast and easy retrofit of shower handles reducing ligature risk inherent in
Retrofits into existing valve! Avoid excessive costs to replace valves

STANDARD FEATURES

Integrated valves include:
Powers 410/420, Bradley, Symmons TA10/C5, Leonard
Material: aluminum construction with brushed finish
Size: 2" high x 3.5" wide
Beveled escutcheon plate required
Design: grips for ease of operation

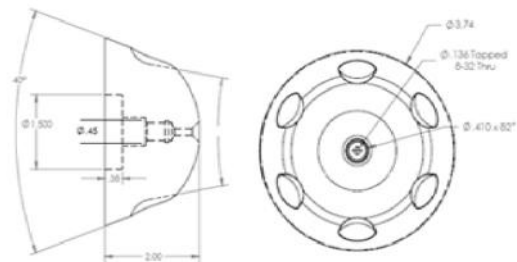
OPTIONAL FEATURES

Handle customized to fit most valves not yet listed

TECHNICAL DATA



SLOPED DESIGN REDUCES LIGATURE RISK



834-S40 STANDARD DIMENSIONS

834-S40 - ORDERING/SPECIFYING INFO

| FEATURES | MANUFACTURER | VALVE | ESCUTCHEON |
|----------|---|--|----------------------------------|
| OPTIONS | POW-Powers | 410-Hydroguard | REC - Required |
| | BRA-Bradley | 410 | Y- OPTIONAL YES |
| EXAMPLE | SYM-Symmons | 420 - Hydro guard | N - OPTIONAL NO |
| | LEO-Leonard | 420 | NO - Optional (4/10 Series Only) |
| | CUS-Custom Valve | G - model G SIN - single stem C5-Temptrol (5 stem) TEM - Temptrol (taio stem) CUS-Custom Valve | |
| | A powers 420 valve with escutcheon would be : | | |
| | 834-S40-POW-420-YES | | |

Due to continuous product improvement Weizel Security reserves the right to make changes in design and specifications without prior notice. All dimensions should be verified with Weizel Security for current information.

SECURINGHOSPITALS.com

Fax Request to:

604-540-5263 and we'll contact you back.

Name: _____
 Facility: _____
 Email: _____
 Phone: _____
 Fax number: _____

Email Request to:

OrderDesk@SecuringHospitals.com

SafeSupport® Breakaway Shower Curtains

835-R04

APPLICATION

Applicable in the following areas of a Behavioral Health Facility:
Patient Washrooms

FUNCTION

Shower rods & curtains to reduce the ligature points in washrooms

STANDARD FEATURES

Trackset: ceiling, wall or no mounted required
Fastening: velcro or grommet
Color: bordeaux, dune, fawn, light blue, mauve, mint, seafoam,
Fabric: sure check or shower shield breathable fabric

OPTIONAL FEATURES

Mesh panels available for ventilation
Clear vinyl panels for observation

TECHNICAL DATA

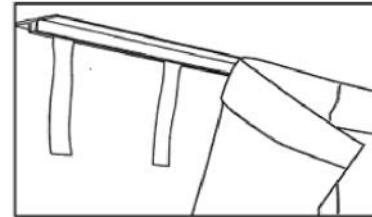
Construction: 1-1/2" velcro sewn to the top
Bottom hems are 3" and sides are 1" turned
Fluid- resistant, anti-bacterial, and self-sanitizing
4" box pleats and are double locked stitched



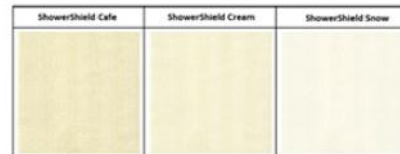
Fax Request to:
604-540-5263 and we'll contact you back.

Name: _____
Facility: _____
Email: _____
Phone: _____
Fax number: _____

Email Request to:
OrderDesk@SecuringHospitals.com



BREAKAWAY DESIGN REDUCES LIGATURE RISK



835-R04 FABRIC COLORS

835-R04 - ORDERING/SPECIFYING INFO

| FEATURES | TRACKSET | FASTENING | COLOR | SIZE |
|--|--|------------------------------|---|---------------------------------------|
| 0 - No Trackset Required CEL - Ceiling Mounted Trackset WAL - Wall Mounted Trackset TRA - Trackset Only | | 1 - Velcro 2 - Grommetted | BO - Bordeaux DU - Dune FA - Fawn LB - Light Blue MA - Mauve MI - Mint SE - Seafoam WH - White FR - Frosted | AS - Actual Size OS - Opening Size |
| EXAMPLE | A 72x36 opening size requiring ceiling track and mint breakaway velcro curtains is: 835-R04-CEL-1- MI-OS(72x36) | | | |

Due to continuous product improvement Weizel Security reserves the right to make changes in design and specifications without prior notice. All dimensions should be verified with Weizel Security for current information.

SafeSupport® Breakaway Drapes

835-R05

APPLICATION

Applicable in the following areas of a Behavioral Health Facility:
 Corridors/Interview Rooms Lounges/Activity Rooms
 Patient Rooms Patient Washrooms

FUNCTION

Velcro safety tabs break under excessive weight for patient safety

STANDARD FEATURES

Trackset: ceiling or wall mounted, or none required
 Fastening: velcro or grommet

OPTIONAL FEATURES

TECHNICAL DATA

Construction: 1-1/2" velcro sewn to the top
 Bottom hems are 3" and sides are 1" turned
 Drape material: imperial fabric or custom print available
 Flame resistant black out liner



BREAKAWAY DESIGN REDUCES LIGATURE RISK



835-R05 FABRIC COLORS

835-R05 - ORDERING/SPECIFYING INFO

| FEATURES | TRACKSET | FASTENING | DRAPE TYPE | SIZE |
|----------|---|----------------|---------------|-------------------|
| | 0 - No Trackset Required | 1 - Velcro | CU - Custom | AC - Actual Size |
| | CEL - Ceiling Mounted Trackset | 2 - Grommetted | IM - Imperial | OP - Opening Size |
| | WAL - Wall Mounted Trackset | | | |
| OPTIONS | TRA - Trackset Only | | | |
| EXAMPLE | A 30x30 small wall mounted velcro drape in imperial fabric with trackset is: 835-R05-WAL-1-IM-AC (30x30) | | | |

Due to continuous product improvement Weizel Security reserves the right to make changes in design and specifications without prior notice. All dimensions should be verified with Weizel Security for current information.

SECURINGHOSPITALS.com

Fax Request to:

604-540-5263 and we'll contact you back.

Name: _____
 Facility: _____
 Email: _____
 Phone: _____
 Fax number: _____

Email Request to:

OrderDesk@SecuringHospitals.com

SafeSupport® Breakaway Carrier

835-R06

APPLICATION

Applicable in the following areas of a Behavioral Health Facility:
Patient Washrooms

FUNCTION

Carriers breakaway under excessive weight for patient safety
Carriers breakaway at approx. 20lbs

STANDARD FEATURES

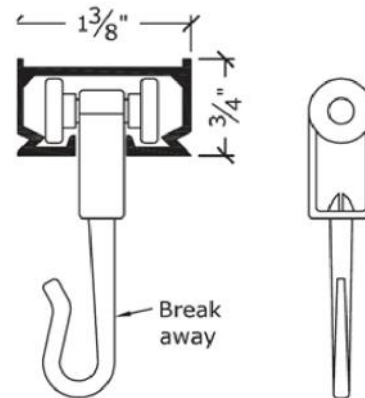
Carriers: available separately, with track or track only
Mounting: ceiling mounted
Carrier size: 1/2"W x 2-1/2"L
Track size: 1-3/8"W x 3/4"H
Trackset: Dual-channel, satin anodized aluminum or baked enamel
Design: standard bends with a 12" radius at 30°, 45°, 60°, and 90°

OPTIONAL FEATURES

TECHNICAL DATA



BREAKAWAY DESIGN REDUCES LIGATURE RISK



835-R06 STANDARD DIMENSIONS

SECURINGHOSPITALS.com

Fax Request to:

604-540-5263 and we'll contact you back.

Name: _____
 Facility: _____
 Email: _____
 Phone: _____
 Fax number: _____

Email Request to:

OrderDesk@SecuringHospitals.com

835-R06 - ORDERING/SPECIFYING INFO

| FEATURES | CARRIERS | MOUNTING | SIZE |
|--|--|-----------------------|------|
| 1 - Carriers only 2 - Carriers with trackset 3 - Carrier trackset only | | CEI - Ceiling Mounted | |
| EXAMPLE | Carriers with ceiling mounted trackset would be : 835-R06-2-CEI | | |

Due to continuous product improvement Weizel Security reserves the right to make changes in design and specifications without prior notice. All dimensions should be verified with Weizel Security for current information.

8.4 FURNITURE

BEDDING

Seclusion Bed

841-R07

APPLICATION

Applicable in the following areas of a Behavioral Health Facility:

Patient Rooms

Seclusion Rooms

FUNCTION

Assists in restraining patients from harming self and others.

STANDARD FEATURES

Color: oasis or ocean grey

Restraint rings: available with or without 1/4" rings

Size: 80"L x 30"W x 18"H

Sanitization: bleach-based cleaners to control infections and pathogens

OPTIONAL FEATURES

TECHNICAL DATA

Flame retardant: pass CA TB no. 117 sec. E

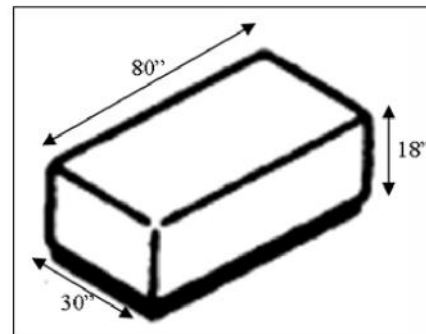
Self-extinguishing, ASTM D-1692 and ASTM D-635

Compliance: meets California technical bulletin 133 flammability test

Resistant to organic materials; acetone, chlorine.



STAIN RESISTANT AND FIRE RETARDANT



841-R07 STANDARD DIMENSIONS

841-R07 - ORDERING/SPECIFYING INFO

| FEATURES | COLOR | RESTRAINT RINGS | SIZE | |
|----------|---|---|------|--|
| | OAS - Oasis OCE - Ocean Grey | 0 - without restraint rings 1 - with restraint rings | | |
| OPTIONS | | | | |
| EXAMPLE | An oasis colored seclusion bed with restraint rings is : 841-R07-OAS-1 | | | |

Due to continuous product improvement Weizel Security reserves the right to make changes in design and specifications without prior notice. All dimensions should be verified with Weizel Security for current information.

SECURINGHOSPITALS.com

Fax Request to:

604-540-5263 and we'll contact you back.

Name: _____
 Facility: _____
 Email: _____
 Phone: _____
 Fax number: _____

Email Request to:

OrderDesk@SecuringHospitals.com

Sealed Mattress

841-R08

APPLICATION

Applicable in the following areas of a Behavioral Health Facility:
 Patient Rooms Seclusion Rooms

FUNCTION

Where contraband/vandalism is high
 Useful alternative to traditional spring & foam mattresses
 Mattress can be easily and quickly searched

STANDARD FEATURES

Size: 80"L x 36"W x 5"D or 84"L x 36"W x 5"D
 Pillow: ordered with or without integrated pillow
 Seams: radio frequency sealed with 1/4" welds with no stitching
 Core material: 12oz densified polyester
 Cover material: Vinyl laminated polyester fabric
 Sanitization: mild soap and water; self-deodorizing & stain resistant

OPTIONAL FEATURES

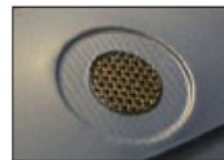
Size: Custom sizes available

TECHNICAL DATA

Passes California Technical Bulletin 117 and 16 CFR Part 3
 Flame barrier: meets California technical bulletin 129



RADIO FREQUENCY WELDED SEAMS FOR EXTRA DURABILITY



ONE-WAY FLUID PROOF VENTS ALLOW MATTRESS COMPRESSION

841-R08 - ORDERING/SPECIFYING INFO

| FEATURES | SIZE | PILLOW | | |
|----------|--|---------------------------------------|--|--|
| | 80 - 80 x 36 x 5 84 - 84 x 36 x 5 | 0 - without pillow 1 - with pillow | | |
| OPTIONS | | | | |
| EXAMPLE | A 84 x 36 x 5 sealed mattress with pillow is : 841-R08-84-1 | | | |

Due to continuous product improvement Weizel Security reserves the right to make changes in design and specifications without prior notice. All dimensions should be verified with Weizel Security for current information.

SECURINGHOSPITALS.com

Fax Request to:

604-540-5263 and we'll contact you back.

Name: _____
Facility: _____
Email: _____
Phone: _____
Fax number: _____

Email Request to:

OrderDesk@SecuringHospitals.com

8.4 FURNITURE

SEATING

Modular Seating

842-R10

APPLICATION

Applicable in the following areas of a Behavioral Health Facility:
Lounges/Activity Rooms

FUNCTION

Where vandal resistance seating is required

STANDARD FEATURES

Size: 30"D x 27"W x 22"H
Ganging: ability to mechanically clip units together
Finish: matte textured surface

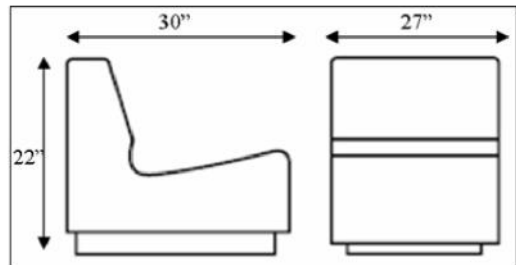
OPTIONAL FEATURES

Bracket options to secure to tables or to each other (back-to-back)

TECHNICAL DATA



GANGABLE FOR GROUP SEATING



842-R10 STANDARD DIMENSIONS

842-R10 - ORDERING/SPECIFYING INFO

| FEATURES | SIZE | GANGING | |
|----------|--|---------------------------------------|--|
| | STA - 30"D x 27"W x 22"H | 1 - No Ganging 1 - With Mech. Clip | |
| OPTIONS | | | |
| EXAMPLE | A standalone modular chair is : 842-R10-STA-0 | | |

Due to continuous product improvement Weizel Security reserves the right to make changes in design and specifications without prior notice. All dimensions should be verified with Weizel Security for current information.

SECURINGHOSPITALS.com

Fax Request to:

604-540-5263 and we'll contact you back.

Name: _____
 Facility: _____
 Email: _____
 Phone: _____
 Fax number: _____

Email Request to:

OrderDesk@SecuringHospitals.com

8.4 FURNITURE

TABLES

Modular Tables

843-R11

APPLICATION

Applicable in the following areas of a Behavioral Health Facility:
 Lounges/Activity Rooms Patient Rooms

FUNCTION

Where vandal resistance tables are required

STANDARD FEATURES

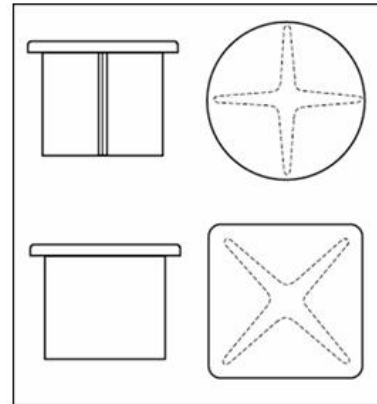
Size: round or square tables (42"W x 30"H)
 Ganging: ability to mechanically clip units together
 Finish: smooth glossy surface
 Design: facility may add weight to units to reduce mobility
 Fiberglass: absorbs organic material

OPTIONAL FEATURES

TECHNICAL DATA



TABLES ARE GANGABLE FOR ADDITIONAL SEATING IN GROUPS



AVAILABLE IN ROUND TOP OR SQUARE TOP

843-R11 - ORDERING/SPECIFYING INFO

| FEATURES | SIZE | GANGING | | |
|----------|---|---------------------------------------|--|--|
| | RT - Round Top, 42 x 30 SQ - Square Top, 42 x 30 | 0 - No Ganging 1 - With Mech. Clip | | |
| OPTIONS | | | | |

EXAMPLE A round top modular table with ganging is :
 843-R11-RT-1

Due to continuous product improvement Weizel Security reserves the right to make changes in design and specifications without prior notice. All dimensions should be verified with Weizel Security for current information.

SECURINGHOSPITALS.com

Fax Request to:
 604-540-5263 and we'll contact you back.

Name: _____
Facility: _____
Email: _____
Phone: _____
Fax number: _____

Email Request to:
OrderDesk@SecuringHospitals.com

Breathable Trash Can Liners

851-S36

APPLICATION

Applicable in the following areas of a Behavioral Health Facility:
 Lounges/Activity Rooms Patient Rooms
 Patient Washrooms

FUNCTION

Replaces plastic bags to reduce suffocation risk

STANDARD FEATURES

Size: 14 qt. (12" x 8" x 14") or 27 qt. (17" x 9" x 17")
 Material: 40# wet strength paper
 Remains durable while maintaining water resistance
 Can be rolled over the top of a wastebasket without tearing

OPTIONAL FEATURES

Size: Custom sizes available

TECHNICAL DATA



REDUCE SUFFOCATION AND CHOKING RISKS

851-S36 - ORDERING/SPECIFYING INFO

| FEATURES | SIZE | MATERIAL | | |
|----------|--|--------------------------------|--|--|
| | 14 - 14qt (12x8x14) 27 - 27qt (17x9x17) | 40 - 40# Wet Strength Paper | | |
| OPTIONS | | | | |
| EXAMPLE | A 14qt trashcan liner is: 851-S36-14-40 | | | |

Due to continuous product improvement Weizel Security reserves the right to make changes in design and specifications without prior notice. All dimensions should be verified with Weizel Security for current information.

SECURINGHOSPITALS.com

Fax Request to:

604-540-5263 and we'll contact you back.

Name: _____
Facility: _____
Email: _____
Phone: _____
Fax number: _____

Email Request to:

OrderDesk@SecuringHospitals.com

SafeSupport® Safety Blanket

851-S49

APPLICATION

Applicable in the following areas of a Behavioral Health Facility:
 Patient Rooms Seclusion Rooms

FUNCTION

Replaces existing blankets to reduce likelihood of self-harm
 Tear strength of the nylon is approximately 74lbs

STANDARD FEATURES

Size: large (56 x 80) or small pairs (56 x 40)
 Material: nylon cordura w/ 6oz poly fiberfill
 Mat: heavy nylon cordura reduces ability to roll into a cord
 Laundered: dries rapidly for quick turnaround
 Material: reduces ability to be rolled into a useful cord
 Edges & corners: triple-stitched heavy-duty nylon upholstery thread

OPTIONAL FEATURES

TECHNICAL DATA



TOUGH CORDURA FABRIC RESISTS TEARING AND ABUSE

851-S49 - ORDERING/SPECIFYING INFO

| FEATURES | SIZE | MATERIAL | | |
|----------|---|--------------------|--|--|
| | LRG - Large: 56x80 SMA - Small Pair: 56x40 | NC - Nylon Cordura | | |
| OPTIONS | | | | |
| EXAMPLE | A small pair at nylon Cordura safety blanket is : 851-S49-SMA-NC | | | |

Due to continuous product improvement Weizel Security reserves the right to make changes in design and specifications without prior notice. All dimensions should be verified with Weizel Security for current information.

SECURINGHOSPITALS.com

Fax Request to:

604-540-5263 and we'll contact you back.

Name: _____
Facility: _____
Email: _____
Phone: _____
Fax number: _____

Email Request to:

OrderDesk@SecuringHospitals.com

SafeSupport® Safety Smock

851-S50

APPLICATION

Applicable in the following areas of a Behavioral Health Facility:
Seclusion Rooms

FUNCTION

Reduces ligature risk inherent in standard patient clothing

STANDARD FEATURES

Size: teen, adult and XXL
Material: nylon cordura w/ 6oz poly fiberfill
Mat: heavy nylon cordura reduces ability to roll into a cord
Laundered: dries rapidly for quick turnaround
Design: quilted, sleeveless gown w/ adjustable velcro openings

OPTIONAL FEATURES

TECHNICAL DATA



PROVIDES MODESTY AND SAFETY

851-S50 - ORDERING/SPECIFYING INFO

| FEATURES | SIZE | MATERIAL | | |
|----------|--|--------------------|--|--|
| | TEE - Teen ADU - Adult XXL - XXL | NC - Nylon Cordura | | |
| OPTIONS | | | | |
| EXAMPLE | An adult safety smock in nylon cordura is: 851-S50-ADU-NC | | | |

Due to continuous product improvement Weizel Security reserves the right to make changes in design and specifications without prior notice. All dimensions should be verified with Weizel Security for current information.

SECURINGHOSPITALS.com

Fax Request to:

604-540-5263 and we'll contact you back.

Name: _____
 Facility: _____
 Email: _____
 Phone: _____
 Fax number: _____

Email Request to:

OrderDesk@SecuringHospitals.com

SafeSupport® Safety Toothbrush

851-S52

APPLICATION

Applicable in the following areas of a Behavioral Health Facility:
Patient Washrooms

FUNCTION

Reduces weapon risk inherent with standard toothbrushes
Design: 1 piece tube with compression fit hold on toothbrush

STANDARD FEATURES

Style: shankless
Case qty: 1000
Size: 1 1/4" long
Material: translucent to reduce contraband in facility

OPTIONAL FEATURES

TECHNICAL DATA

Compliance: FDA approval



REDUCES RISK OF WEAPON CONCEALMENT OR USE AS A WEAPON

851-S52 - ORDERING/SPECIFYING INFO

| FEATURES | STYLE | CASE | | |
|----------|--|------------------|--|--|
| | NS-Shankless | 1 - Case of 1000 | | |
| OPTIONS | | | | |
| EXAMPLE | A case of 1000 shankless toothbrushes is: 851-S52-NS-1 | | | |

Due to continuous product improvement Weizel Security reserves the right to make changes in design and specifications without prior notice. All dimensions should be verified with Weizel Security for current information.

SECURINGHOSPITALS.com

Fax Request to:

604-540-5263 and we'll contact you back.

Name: _____
Facility: _____
Email: _____
Phone: _____
Fax number: _____

Email Request to:

OrderDesk@SecuringHospitals.com